



英格爾科技股份有限公司

ENG ELECTRIC CO., LTD.

Revision: 02

Approval Sheet

CUSTOMER: R54B
CUSTOMER MODEL NO.: _____
ENG MODEL NO.: 6A-121WP05
ENG PART NO.: 6A-121WP05-G03
DESCRIPTION: Switching Power Supply
DATE: 16-Jan-20

DESIGNED	CHECKED	APPROVED

APPROVAL DATE:

CUSTOMER APPROVAL		

總部：台灣桃園縣龜山鄉民生北路1段536號5樓

Head Office: 5F,NO.536, Sec.1, Min Sheng N. Rd.,Kweishan Hsiang,Taoyuan Hsien,Taiwan

TEL: 886-3-2121122 / FAX: 886-3-2121560

工廠：深圳市寶安區福永街道白石廈東區淇譽路

180號中核集團工業區A棟

Factory: Block A, Nuclear Group Industrial Distric
No.180,Qiyu Road,Baishixia,Fuyong Street,Bao'ar
Shenzhen, CHINA

TEL:+ 86-755-27299155

FAX: +86-755-81443663

工廠：深圳市寶安區福永街道白石廈東區淇譽路

180號中核集團工業區B棟

Factory: Block B, Nuclear Group Industrial District,
No.180,Qiyu Road,Baishixia,Fuyong Street,Bao'an,
Shenzhen, CHINA

TEL:+ 86-755-27307512

FAX: +86-755-27308049

ENG ELECTRIC CO., LTD.

HISTORY (6A-121WP05-G03)

NO.	DATE	REVISION	REMARK	SIGN
1	16- Jan- 20	Modify label to meet ErP requirement	Rev 01 to Rev 02	huangxq

ENG products are being reviewed and improved continuously. Based on the same quality and specification, ENG reserves the right to make changes (e.g. material change, add material supplier) without prior notice.

ENG ELECTRIC CO., LTD.

FILE NO.: EN-RDS-Z418

FILE: 6A-121WP05-G03

SHEET: 01

1. Product characteristics

1 General Description

Model 6A-121WP05 is an universal switching-mode power supply, operating at input voltage 90VAC to 264VAC and output voltage of 5VDC with 2.0A DC load

1.2 Electric Characteristics

1.2.1 Input

No	Switching Power Supply	SPECIFICATION
1.	Rated Input Voltage	AC100V-240V
	Vibration Input Voltage Range	AC90V-264V
2.	Frequency Rated	50-60Hz
	Frequency Vibration	47-63Hz
3.	Input Rated Current	600mA RMS Max
4.	Inrush Current	No damage. On power when switching on/off repeatedly under any condition.
5.	Leakage Current	0.25mA
6.	Average Efficiency	78.7% Min (CEC & DOE LEVEL VI Compliant) 78.7% Min (ErP Compliant) 79% Min (EC COC Tier2 Compliant)
7.	Input Power(no load)	< 0.1W (CEC & DOE LEVEL VI Compliant) <0.1W (ErP Compliant) <0.075W (EC COC Tier2 Compliant)

ENG ELECTRIC CO., LTD.

FILE NO.: EN-RDS-Z418

FILE: 6A-121WP05-G03

SHEET: 02

1.2.2: Output:

No	ITEM	SPECIFICATION	
1.	AI50	5VDC	
2.	Output max. Current	2.0A	
3.	Output min. Current	0A	
4.	Line Regulation	±3%	
5.	Output Voltage Tolerance	± 5%	
6.	Turn On Delay	3000mS MAX at 115VAC Full Load	
7.	Hold Up Time	10mS Min at 100VAC Full Load	
8.	Short Circuit Protection	Output shut down and auto restart	
9.	Over Load Protection	Output shut down and auto restart	
10.	Over Voltage Protection	Output shut down and auto restart	
11.	Over Temperature Protection	Output shut down and auto restart	
7.	Ripple Voltage	200mV (p-p)	Input :(100V-240VAC)
			Output:full load

Note: Ripples shall be measured with a 10uF electrolytic capacitor paralleled with a high-frequency 0.1uF ceramic capacitor across the output. The oscilloscope's bandwidth shall be set to 20MHz.

1.2.3 HI-POT SPECIFICATION

Input to output : 3000VAC or 4242VDC, 10mA 60Sec. (between primary side and secondary)

1.2.4 Insulation resistance:

Input to output: 500Vdc to test the input to output resistance not be less 100M Ohm

1.2.5 Safety (Meet): UL/CUL.GS.FC.CE.PSE.RCM

1.2.6 EMI (Meet): FCC class B , CE ,VCCI – II

1.2.7 Environmental standard: RoHS compliant

China RoHS compliant

(符合中国电器电子产品有害物质限制使用管理办法之要求)

1.2.8 This part has EMI solution for the customer system which is grounded.

ENG ELECTRIC CO., LTD.

FILE NO.: EN-RDS-Z418

FILE: 6A-121WP05-G03

SHEET: 03

1.3 Mechanical characteristics:

1.3.1 AC Plug: NO AC PLUG

1.3.2 DC cord:

(1) Bending test: Life 1000 times 100% guarantee.

Swings 120 from left to right loading weight 200g , 40 cycle/minute.

(2) Pull test : DC cord and plug ,weight 6kg for 1 minute.

1.3.3 Cord length and output plug: See Reference Att.4

1.3.4 Weight : _____ g

1.3.5 Case Size: (L)64X (W)40.5 X (H)30.0mm

1.4 Environmental Specifications:

1.4.1 Normal operating temperature and humidity

1.4.2 Temperature

Operating: 0°C to 40°C

Storage : -10°C to 70°C

1.4.3 Humidity

Operating : 20% to 80%

Storage: 10% to 90%

1.4.4 Cooling Natural Cooling

2.Attachment:

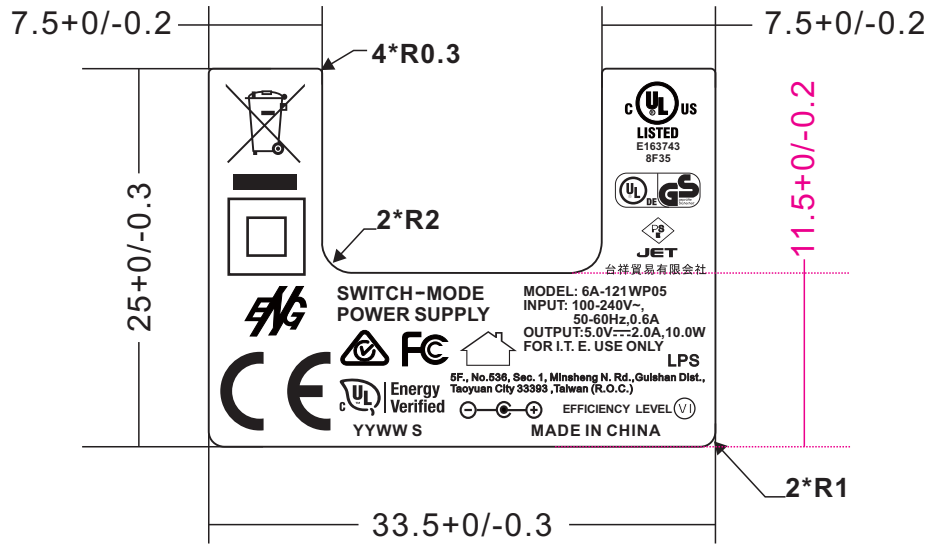
(Att.1) Label

(Att.2) Outdrawing

(Att.3) Package

(Att.3.1) Package Flow Chart

(Att.4) Dc Cord Drawing



Production note:

生產注意:

- 1) PDF file is only for content checking while mass production film version is subject referred to CoreIDRAW files ;
PDF檔僅為內容核對用,銘版生產出菲林請用CoreIDRAW檔;
- 2) The manufacturer must ensure the PDF file content of the file drawing No. / version / date / label version are exactly same as CoreIDRAW file Drawing.
生產商必需確認PDF檔與CoreIDRAW檔圖號/版本/日期/銘版內容完全一致。

UNIT: mm

YYWW S YY:YEAR WW:WEEK S:FU YONG

ALUMINUM NAMEPLATE: ○ BLACK WORD ON SILVER BASE

○ SILVER WORD ON BLACK BASE

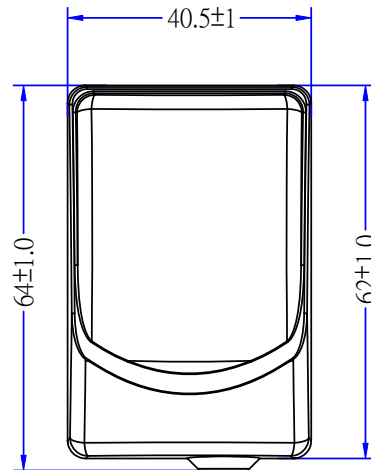
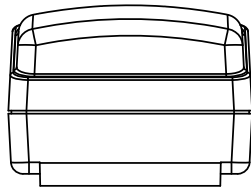
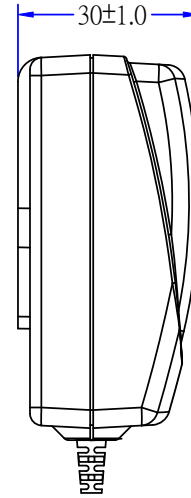
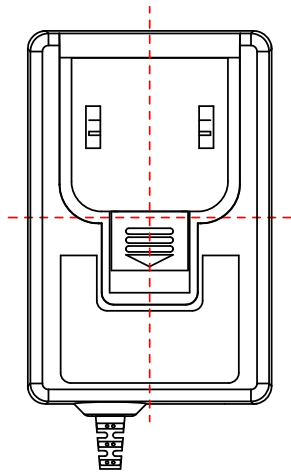
METALIZED POLYESTER: ○ BLACK WORD ON SILVER BASE

(SILVER MATTE) ● SILVER WORD ON BLACK BASE

6A-121WP05-G03

TOLERANCE				

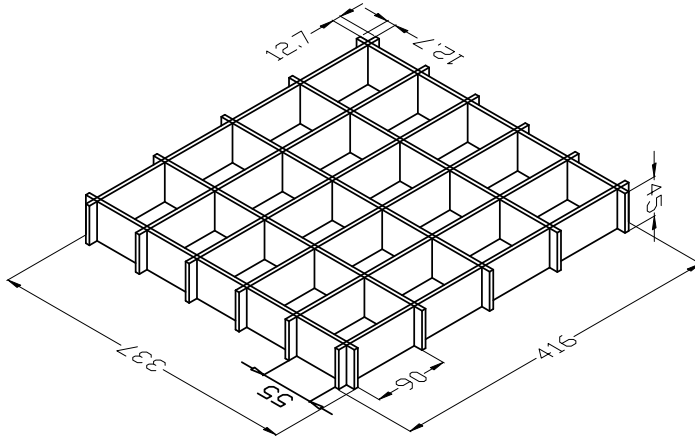
DESIGNED	CHECKED	APPROVED		TITLE	DATE
				LABEL DRAWING NO. N20-R54B00-A58	
ENG ELECTRIC CO., LTD.			UNITS	mm	DRAWING NAME 0608
			SCALE	2:1	



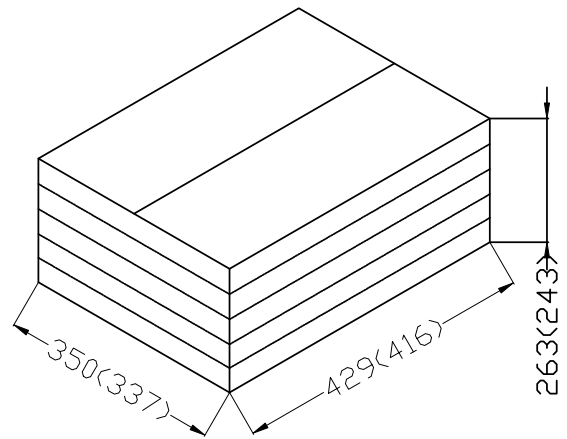
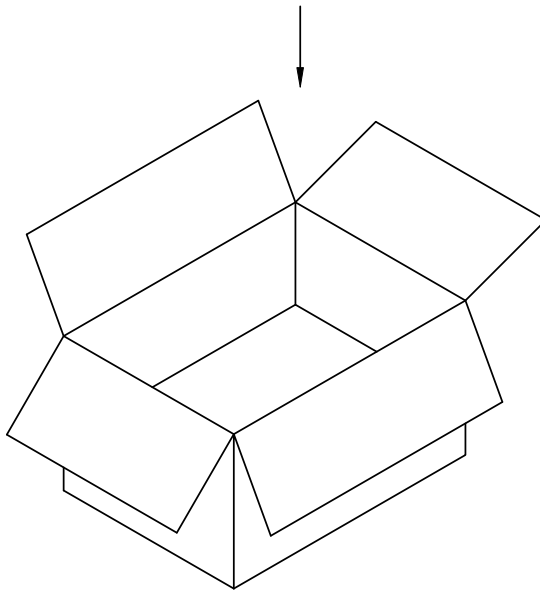
TOLERANCE				

DESIGNED	CHECKED	APPROVED		TITLE	OUTDRAWING	DATE
				DRAWING No.		07/11/12
ENG ELECTRIC CO., LTD.			UNITS	mm	060815-002	REVISION
			SCALE			

CARTON MATERIAL: A=B(6mm)
 CARTON SIZE: 429X350X263mm
 外箱尺寸: 429X350X263mm
 PARTITION BOARD: 416X337X3mm(6pcs) B33
 CROSS-CONNECTING BOARD: 416X45X6mm(30pcs) B=C
 CROSS-CONNECTING BOARD: 337X45X6mm(25pcs) B=C
 數量: 100pcs(20x5)



— CELL PARTITION

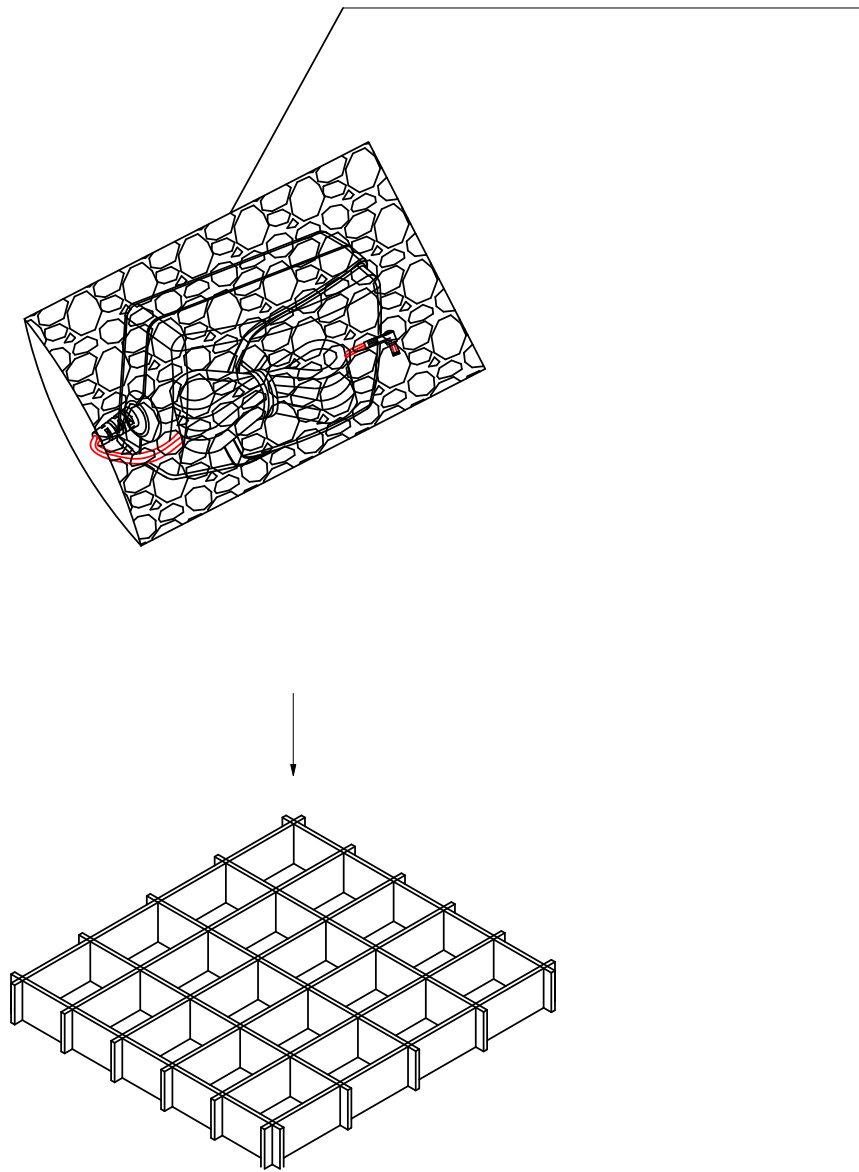


The tolerance of the internal dimensions
 of the carton is +7/-0
 紙箱內度尺寸公差為+7/-0

TOLERANCE				

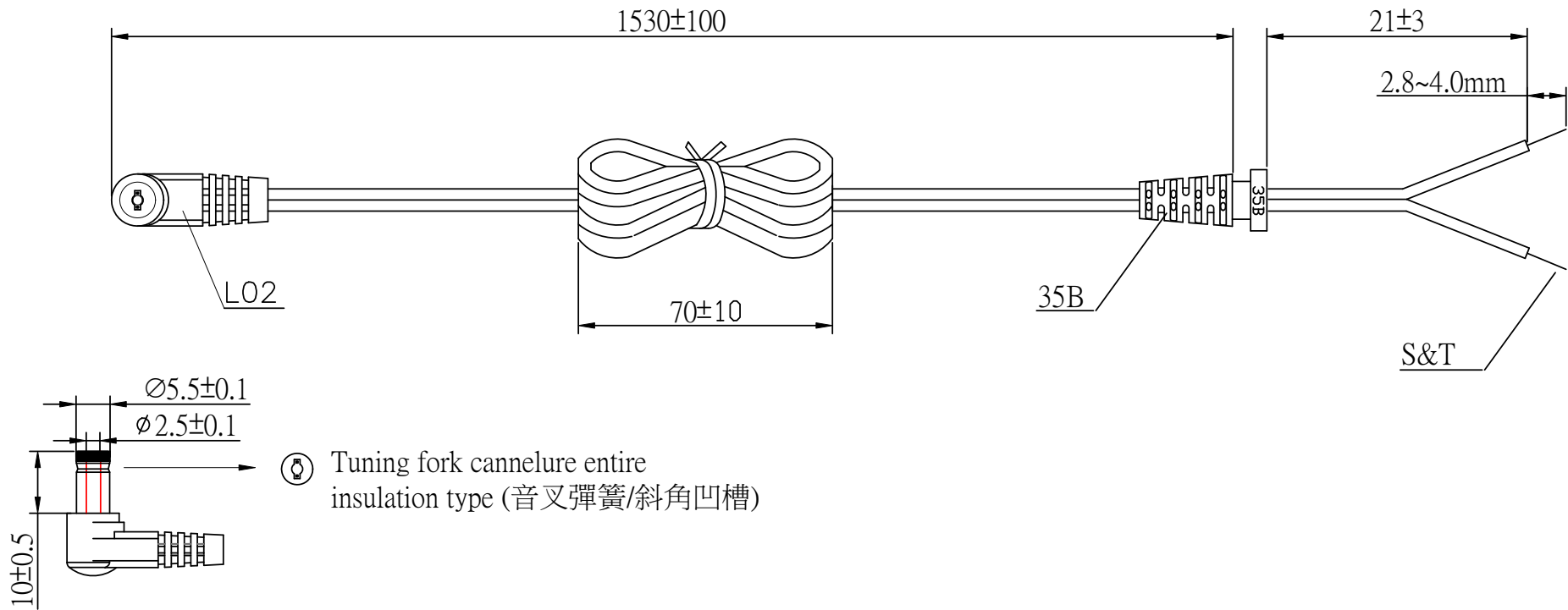
DESIGNED	CHECKED	APPROVED		TITLE	PACKAGE	DATE
工程部 2017.01.11 項玉璘	工程部 2017.01.11 田密	工程部課長 2017.01.11 劉輕舟		UNITS	DRAWING No.	PBG-2050-H-70
ENG ELECTRIC CO., LTD.				SCALE	DRAWING NAME	REVISION
					BG-2050-H-70	01

汽泡袋:100X150mm



TOLERANCE				

DESIGNED	CHECKED	APPROVED		TITLE	DATE
				PACKAGE FLOW CHART	17/01/11
UNITS			DRAWING No.	REVISION	
SCALE			6A-121WP05-G03	01	
ENG ELECTRIC CO., LTD.				DRAWING NAME	
				100*150	



#20AWGX2C UL2468
OD: Ø1.9*3.8

HAVE ON WORD WIRE IN OUTER, NO WORD WIRE IN INNER(有字接外，無字接內)

TOLERANCE				

Parameter request	
搖擺測試 BENDING TEST	a. ±60° b. 吊重200g WEIGHT 200g c. 40回/分 40 ROUND/MINUTE d. 1000次/最少 OVER 1000 COUNT MIN

DESIGNED	CHECKED	APPROVED		TITLE	DATE
				UNITS mm	DC CORD
ENG ELECTRIC CO., LTD.				DRAWING No. 6A-121WP05-G03	REVISION 01
				DRAWING NAME 21-35BL02-03H-00	