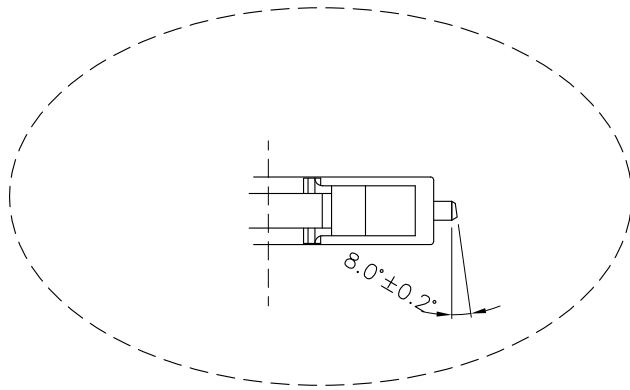


LC/APC Angles(SCALE 2/1)



LC/APC Angles(SCALE 2/1)

"#": Matching DIM. "*": Important DIM. Others General DIM. GENERAL TOLERANCE OF DIMENSIONS X.XXX ±0.005 X.XX ±0.05 X.X ±0.1	DRAWING	20.JUL.2019	YMN		
	CHECK	20.JUL.2019	DAY		
	APPROVAL	20.JUL.2019	FRANK		
	DATE	NAME		ITEM NO.: RL26XX	
	SCALE	1/1 (A4)	UNIT	mm	DES.: LCAPC-LCAPC 9/125 Duplex OS2 2.0mm LSZH
	DRAWING NO.		LCAPC-LCAPC 9/125 Duplex OS2 2.0mm LSZH(S05)		
	DRAWING CLASSIFICATION		S	SHEET 1 OF 2	

A

A

B

B

C

C

D

D


Description 1

ACT Fiber Optical Patch Cord

LC/APC to LC/APC Duplex Singlemode 9/125,OS2

Model: xxxx-xxxxxx

IIC-code: xxxxx



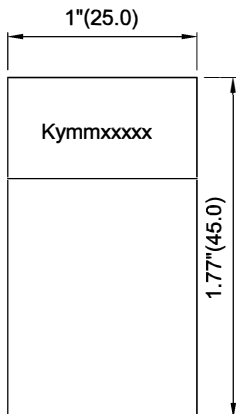
x xxxxxxx xxxxxxxx

Performance: (@23°C) $\lambda=1310/1550 \pm 20\text{nm}$

Serial No.	Insertion Loss		Return Loss	
	1310nm	1550nm	1310nm	1550nm
Kymmxxxx	A			
	B			
	C			
	D			

-ACT advices to clean connector ferrule before usage to get optimal performance
 -Always leave the dust caps on if the cable isn't installed

Prepared By : QC Date : _____



DETAIL B
 y: Year; mm: Month
 xxxx: Serial Number

Specification:

1. LC Connector : LC/APC Singlemode

Mode	Ferrule	Housing	Clip	Boot	Cap
SM APC	Zirconia($\phi 1.25\text{mm}$)	Green(PC)	Green(PP)	White/Green(TPE)	White(PE)

2. 2-1.Cable Type : Zipcord

Category	Jacket O.D.	Jacket Material	Color
G.657A2(9/125um)	$\phi 2.0\text{mm}$	LSZH	Yellow



2. 2-2.Cable Text Printing : ACT Premium Singlemode Fiber Optic Patch Cable
 9/125um OS2 LSZH MM/YY xxxxM

3. Length : xM

Performance:

- a. Insertion Loss : Singlemode Average<0.10 dB, Max.<0.2 dB.
- b. Return Loss : APC>60 dB
- c. Insertion Loss will be Increased after 500 mating : 0.2 dB Max
- d. Operating Temperature : -20°C to $+70^{\circ}\text{C}$
- f. Storage Temperature : -40°C to $+80^{\circ}\text{C}$

ITEM	DESCRIPTION	LENGTH
RL2600	LC/APC-LC/APC 9/125 OS2	0.5m
RL2601	LC/APC-LC/APC 9/125 OS2	1.0m
RL2651	LC/APC-LC/APC 9/125 OS2	1.5m
RL2602	LC/APC-LC/APC 9/125 OS2	2.0m
RL2603	LC/APC-LC/APC 9/125 OS2	3.0m
RL2605	LC/APC-LC/APC 9/125 OS2	5.0m
RL2610	LC/APC-LC/APC 9/125 OS2	10.0m
RL2620	LC/APC-LC/APC 9/125 OS2	20.0m

"#": Matching DIM. "*": Important DIM. Others General DIM.	DRAWING	20.JUL.2019	YMN		
	CHECK	20.JUL.2019	DAY		
	APPROVAL	20.JUL.2019	FRANK		
GENERAL TOLERANCE OF DIMENSIONS		DATE	NAME	ITEM NO.: RL26XX	
x.xxx ± 0.005 x.xx ± 0.05 x.x ± 0.1	SCALE	1/1 (A4)	UNIT	mm	DES.: LCAPC-LCAPC 9/125 Duplex OS2 2.0mm LSZH
	 DRAWING NO. LCAPC-LCAPC 9/125 Duplex OS2 2.0mm LSZH(S05)		DRAWING CLASSIFICATION		S SHEET 2 OF 2