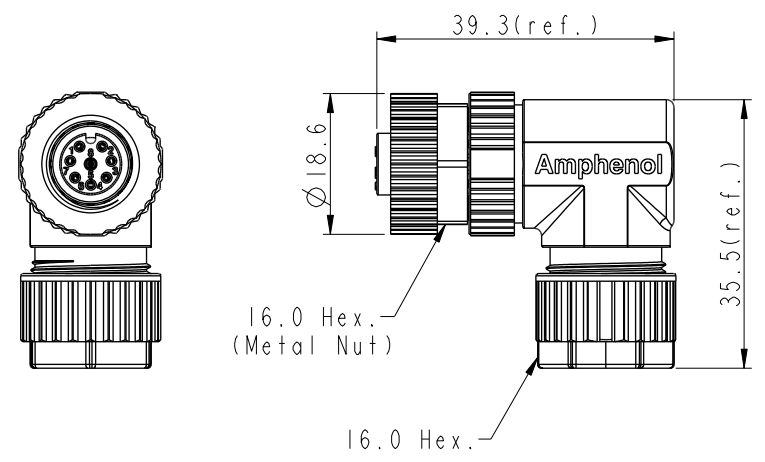
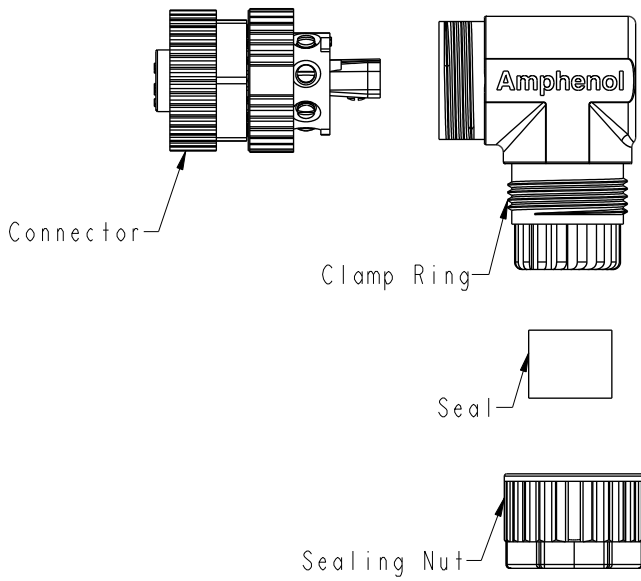


REV.	ECN NO.	DATE	SIGN	DESCRIPTION
B	LEN1790112~15	2017/08/31	Frank Deng	Update Note
C	C210561	2021/04/09	Vicky	$\triangle C$ X4

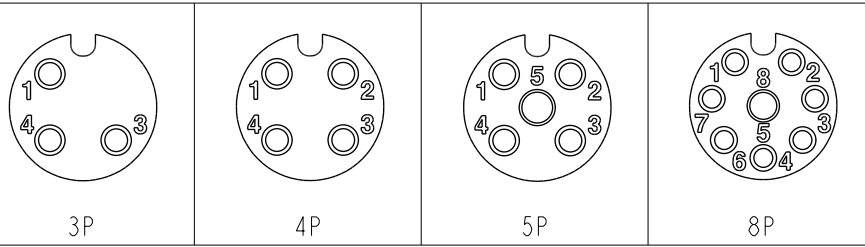


$\triangle C$   
M12A-XXBFFB-SR7001

XX: No. Of Pin

$\triangle B$   $\triangle C$

- Note:
- \* RoHS Compliant
  - \*  $\text{\textcircled{C}}$  Important Dimension
  - \* Waterproof rate: IPX7, mated
  - \* Connector
  - Housing: Thermoplastic, Black
  - Pin: Copper alloy, Gold plated
  - Extension Nut: Thermoplastic, Black
  - Nut: Metal
  - O-Ring: Rubber, Gray
  - \* Clamp Ring: Thermoplastic, Black
  - \* Sealing Nut: Thermoplastic, Black
  - \* Seal: Rubber, Gray, OD:  $\varnothing 4.0\text{mm} \sim \varnothing 7.0\text{mm}$
  - \* One set unassembled in one pe bag



Pin Assignments Front View

UNIT: mm	$\text{\textcircled{C}}$	TITLE N SEN, M12 A, SCREW CABLE W/O SR, F, F, FI SCREW IN	$\triangle C$
TOLERANCE .X $\pm 0.25$ .XX $\pm 0.1$ .XXX $\pm 0.05$ ANGLES $\pm 1^\circ$	$\text{\textcircled{C}}$	SCALE 1:1	SIZE A4
		REV. C	WC-REV. A.2
			$\text{\textcircled{C}}$ : Inspection item

**Amphenol LTW**  
安費諾亮泰企業股份有限公司

ITEM NO	DRAWN BY Frank Deng	DATE 2017-08-31
DWG NO M12A-XXBFFB-SR7001	CHECKED BY Fisher Wang	DATE 2017-08-31
CUSTOMER ALTW	APPROVED BY Kevin Hu	DATE 2017-08-31

THIS DOCUMENT IS SUBJECT TO CHANGE WITHOUT NOTICE. IT IS CONFIDENTIAL AND A PROPERTY OF Amphenol LTW. DISCLOSURE TO THIRD PARTY HAS TO BE AUTHORIZED BY Amphenol LTW.