

1 2 3 4 5 6

A

B

C

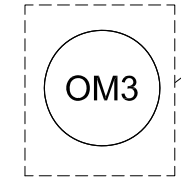
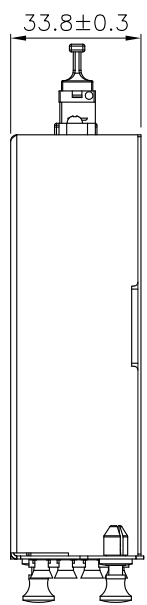
D

A

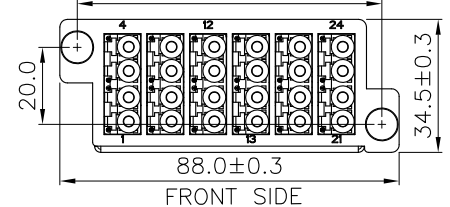
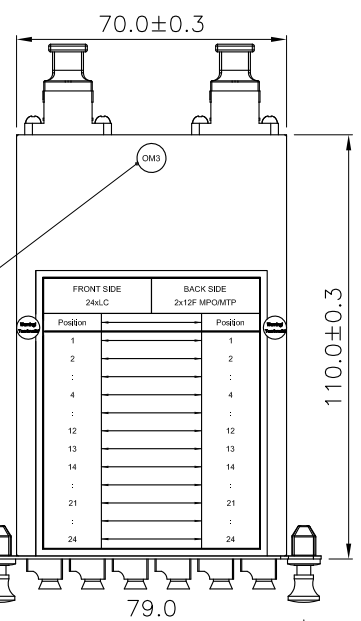
B

C

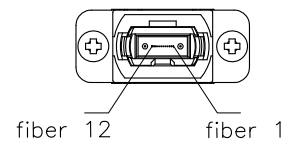
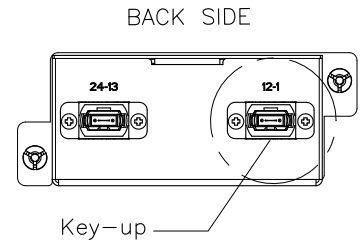
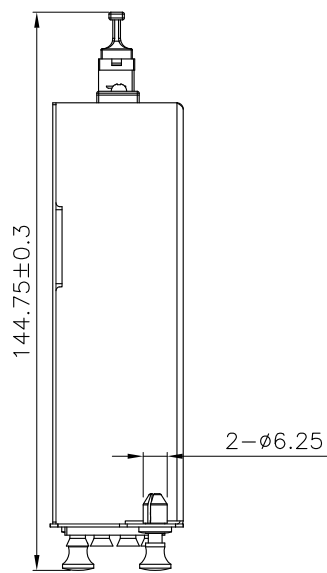
D



SCALE 2/1



FRONT SIDE



SCALE 1/1

LC	Straight Version	MTP	LC	Straight Version	MTP
1	←→	1	13	←→	13
2	←→	2	14	←→	14
3	←→	3	15	←→	15
4	←→	4	16	←→	16
5	←→	5	17	←→	17
6	←→	6	18	←→	18
7	←→	7	19	←→	19
8	←→	8	20	←→	20
9	←→	9	21	←→	21
10	←→	10	22	←→	22
11	←→	11	23	←→	23
12	←→	12	24	←→	24

Specification :

Adaptor	Type	Color
MTP	SC Footprint A Type(Up to Down)	Black
LC	Zirconia	Aqua

	Type
Direct Harness (12C)	OM3, 0.9mm Jacket, PVC, 12F MTP+Guide Pin, LC(MM), Low Loss

LC Fiber Number	Jcaket Color	Fiber Position	MTP Fiber Number
Fiber 1	Blue	B	Fiber 1
Fiber 2	Orange	A	Fiber 2
Fiber 3	Green	B	Fiber 3
Fiber 4	Brown	A	Fiber 4
Fiber 5	Gray	B	Fiber 5
Fiber 6	White	A	Fiber 6
Fiber 7	Red	B	Fiber 7
Fiber 8	Black	A	Fiber 8
Fiber 9	Yellow	B	Fiber 9
Fiber 10	Purple	A	Fiber 10
Fiber 11	Pink	B	Fiber 11
Fiber 12	Aqua	A	Fiber 12

LC Fiber Number	Jcaket Color	Fiber Position	MTP Fiber Number
Fiber 13	Blue	B	Fiber 13
Fiber 14	Orange	A	Fiber 14
Fiber 15	Green	B	Fiber 15
Fiber 16	Brown	A	Fiber 16
Fiber 17	Gray	B	Fiber 17
Fiber 18	White	A	Fiber 18
Fiber 19	Red	B	Fiber 19
Fiber 20	Black	A	Fiber 20
Fiber 21	Yellow	B	Fiber 21
Fiber 22	Purple	A	Fiber 22
Fiber 23	Pink	B	Fiber 23
Fiber 24	Aqua	A	Fiber 24

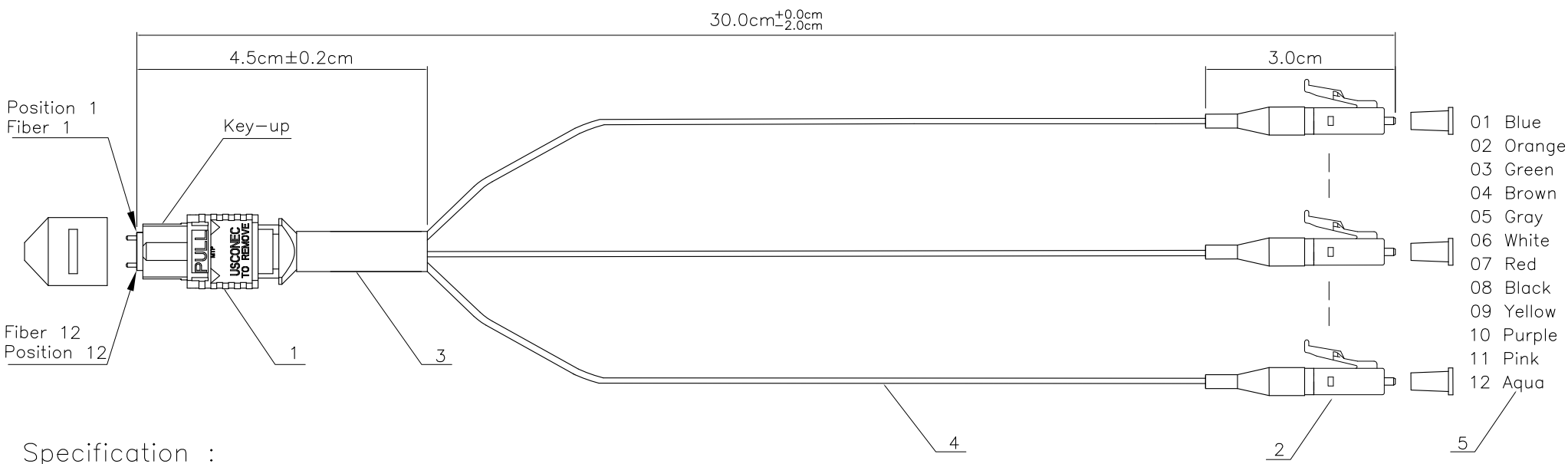
GENERAL TOLERANCE OF DIMENSIONS X.XXX ±0.1 X.XX ±0.2 X.X ±0.3	DRAWING	28.NOV.2023	DANIEL	<b>ACT</b>	
	CHECK	28.NOV.2023	DAY		
	APPROVAL	28.NOV.2023	FRANK		
	DATE	NAME	ITEM NO.: FA2051		
	SCALE	1/2(A4)	UNIT	mm	DES.: HD Cassette Method A&C 2x12F MTP to 24xLC OM3
HSF Spec.		DRAWING NO.		HD Cassette Method A&C 2x12F MTP to 24xLC OM3(SA1)	
RoHS		DRAWING CLASSIFICATION		S	SHEET



1 2 3 4 5 6

10cm

1 2 3 4 5 6

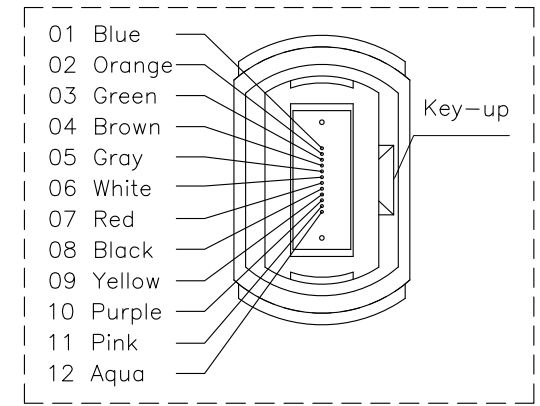


- 01 Blue
- 02 Orange
- 03 Green
- 04 Brown
- 05 Gray
- 06 White
- 07 Red
- 08 Black
- 09 Yellow
- 10 Purple
- 11 Pink
- 12 Aqua

Specification :

Material :

1. Connector Type : MTP Male(With Pin) Connector, Multimode Low Loss.
  - 1-1. Protective Cap : TPR, Black color.
  - 1-2. MT Ferrule : 12 Fibers, PPS, Black color, Multimode Low Loss.
  - 1-3. MTP Housing : PBT, Aqua color.
2. Connector Type : LC Multimode Low Loss, Ivory Color.
  - 2-1. Protective Cap : PE, White color.
  - 2-2. Ferrule :  $\varnothing 1.25\text{mm}$ , Zirconia, Singlemode.
  - 2-3. LC Housing : PC, Ivory color.
  - 2-4. Strain Relief Boot : PVC, White color.
3. Shrink Tube : 1.5cm, Use Black Heat Shrink Tube.
4. Tubing Type:
  - 4-1. Fiber : OM3 50/125um Multimode.
  - 4-2. 12 tubes Hytrel material, 0.9mm tube of 12 Colors.
5. Fanout MTP(Male) to LC OM3 12C Patch cord 30cm.
  - 1(Blue)/2(Orange)/3(Green)/4(Brown)/5(Gray)/6(White)/7(Red)/8(Black)/9(Yellow)/10(Purple)/11(Pink)/12(Aqua).



Connector Section (SCALE 3/1)

Performance :

- a. Insertion Loss :
  - LC MM Low Loss : < 0.15 dB
  - MTP MM Low Loss : < 0.35 dB
- b. Return Loss :
  - LC MM Low Loss : > 35 dB
  - MTP MM Low Loss : > 20 dB
- c. Fiber Extention(LC) :  $-0.05\mu\text{m} < H < +0.05\mu\text{m}$
- d. Fiber overcut(MTP) : 1~3um
- e. Apex Offset : < 50um
- f. Operating Temperature :  $-20^{\circ}\text{C}$  to  $+70^{\circ}\text{C}$
- g. Storage Temperature :  $-40^{\circ}\text{C}$  to  $+80^{\circ}\text{C}$

GENERAL TOLERANCE OF DIMENSIONS X.xxx ±0.1 X.xx ±0.2 X.X ±0.3	DRAWING	28.NOV.2023	YMN	<b>ACT</b>
	CHECK	28.NOV.2023	DAY	
	APPROVAL	28.NOV.2023	FRANK	
	DATE		NAME	
SCALE	1/5(A4)	UNIT	mm	DES.: HD Cassette Method A&C 2x12F MTP to 24xLC OM3
HSF Spec.		DRAWING NO.	HD Cassette Method A&C 2x12F MTP to 24xLC OM3(SA1)	
RoHS		DRAWING CLASSIFICATION	S	SHEET 2 OF 2

D

A

B

C

A

B

C

D

1 2 3 4 5 6