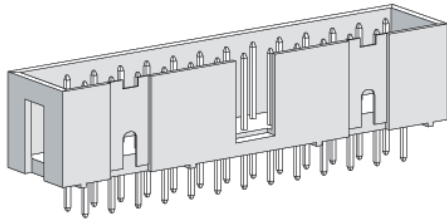
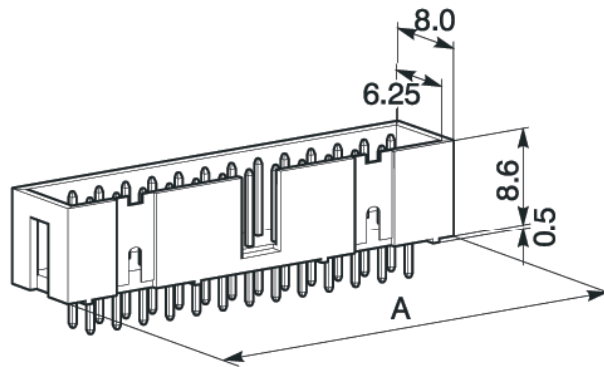


BOX HEADER, STRAIGHT PITCH 2.54x2.54mm



Contacts:	Copper alloy
Finish:	RL1-RL3: gold plated RL4: tin plated
Insulator:	PBT 20% GF
Withstanding voltage:	1000V DC or AC peak
Current rating:	1.0A
Contact resistance:	20mOhm
Insulation resistance:	5000MOhm at 100V
Life:	RL1: 500 mating cycles RL2: 250 mating cycles RL3: 50 mating cycles RL4: 50 mating cycles

60pol. connectors
upon request



No. of Contacts	10	14	16	20	26	34	40	50
A [mm]	19.6	24.6	27.2	32.2	39.9	50.0	57.7	70.4

SPBHxxS-3000

not used	0 (Standard)
not used	0 (Standard)
Pin length:	0 = 2.9mm (Standard) 1 = 4.5mm
Requirement level:	1 = RL1 = gold plated, 500 mating cycles 2 = RL2 = gold plated, 250 mating cycles 3 = RL3 = gold plated, 50 mating cycles 4 = RL4 = tin plated, 50 mating cycles
Style:	S = Straight
No. of contacts	



BOX HEADER - BOX HEADER - BOX HEADER - BOX HEADER - BOX HEAD