




AK5287

PC2058

CABLE REQUIREMENTS:

Colour: BLACK
Type: 3 Core 1.00mm² H05VV-F (European Approved)
Conductor Colour Codes:
 Earth (Green & Yellow) 
 Neutral (Blue) 
 Live (Brown) 

Complete Powerlead Rated: 10A/250V

PLUG / END A REQUIREMENTS:

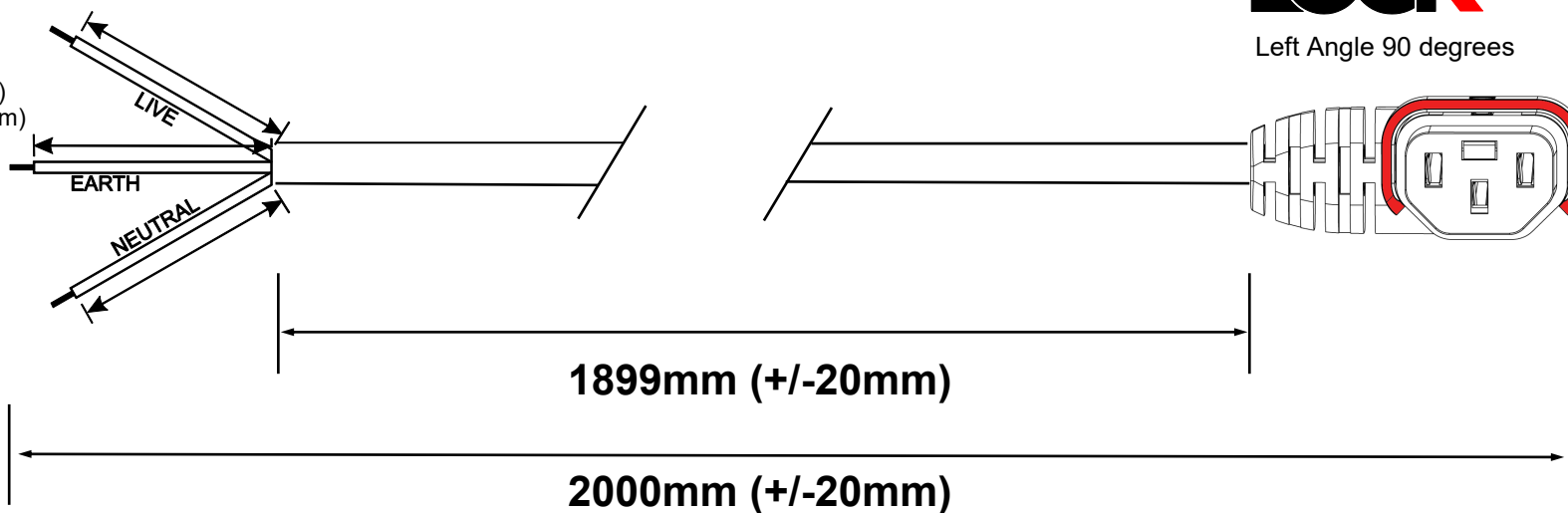
Type: FREE END
Colour: N/A
Rating: N/A
Reference:

CONNECTOR / END B REQUIREMENTS:

Type: SG597L
Colour: BLACK
Rating: 10A
Reference: L/A C13 IEC Lock+ Connector (European Approved)

Free End Overall Strip Lengths (Includes Terminations)

Live = 50mm (+/- 5mm)
 Earth = 50mm (+/- 5mm)
 Neutral = 50mm (+/- 5mm)



EXTRA REQUIREMENTS:

PACKAGING OUTERTBC
 PIN PROTECTING COVERNO
 WIRING INSTRUCTIONSNO
 PRE-SHIPMENT INSPECTION REQUIRED....NO

COMMENTS:

CHANGE MANAGEMENT:

HANKING

**Fig.8
(200mm)**

APPROVAL DETAILS:

LIVE / BROWN
Type: Stripped
Size: 6mm

NEUTRAL / BLUE
Type: Stripped
Size: 6mm

EARTH / GREEN & YELL
Type: Stripped
Size: 6mm