




AK5041

EL234S

CABLE REQUIREMENTS:

Colour: BLACK
Type: 3 Core 1.00mm² H05VV-F (European Approved)
Conductor Colour Codes:
 Earth (Green & Yellow) 
 Neutral (Blue) 
 Live (Brown) 

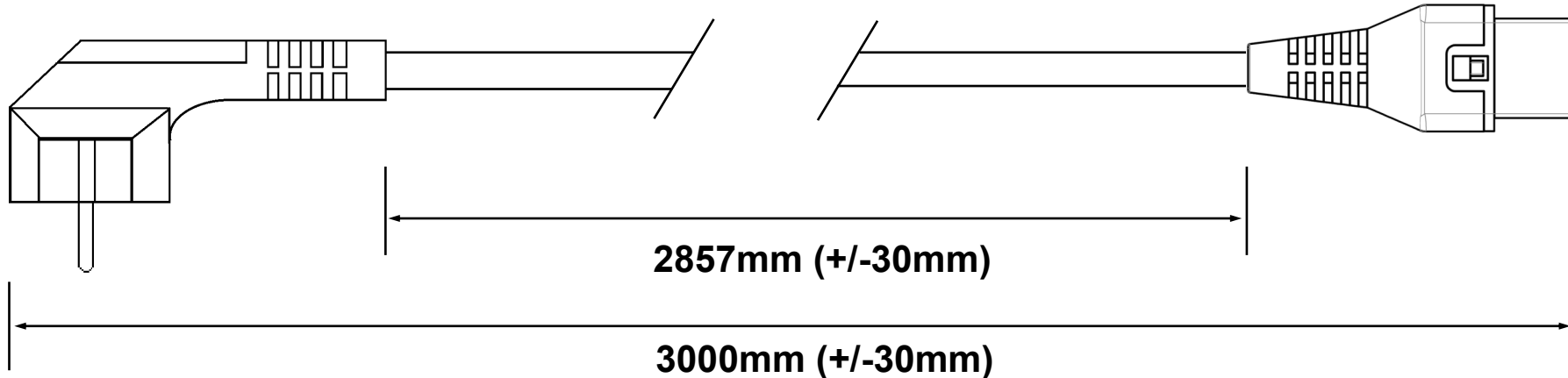
Complete Powerlead Rated: 10A/250V

PLUG / END A REQUIREMENTS:

Type: SW102
Colour: BLACK
Rating: 16A
Reference: 3 Pole R/A Schuko Plug (European Approved)

CONNECTOR / END B REQUIREMENTS:

Type: SW905
Colour: BLACK
Rating: 10A
Reference: C13 IEC Lock Connector (European Approved)



EXTRA REQUIREMENTS:

PACKAGING OUTERTBC
 PIN PROTECTING COVERNO
 WIRING INSTRUCTIONSNO
 PRE-SHIPMENT INSPECTION REQUIRED.....NO

COMMENTS:

CHANGE MANAGEMENT:

HANKING

**Fig.8
(200mm)**

APPROVAL DETAILS:

SW102

VDE Approved -
40004330



SW905

ENEC / KEMA-KEUR -
Certificate: 2194674.01



H05VV-F Cable

VDE Approved -
40010839

