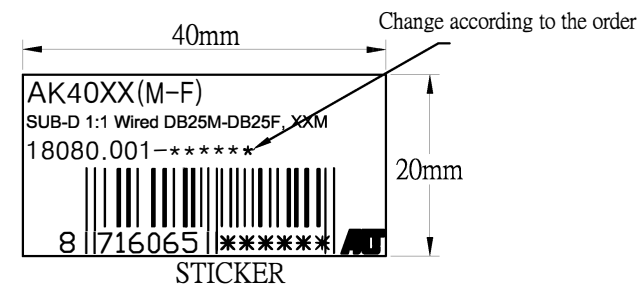


ITEM NO.	Length	Tolerance	Barcode
AK 4045	1800mm	30mm	8716065116175
AK 4046	3000mm	30mm	8716065116182
AK 4055	5000mm	50mm	8716065116199



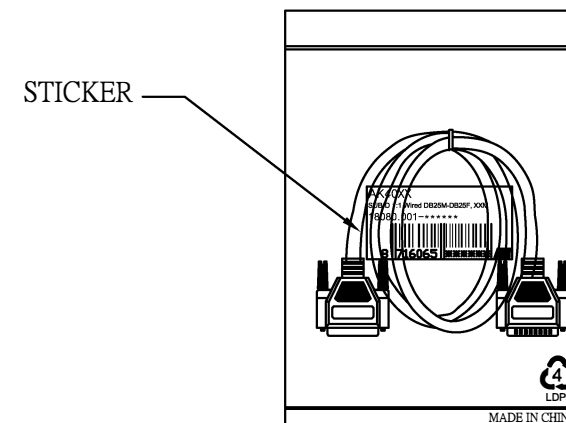
NOTE:

1. CABLE:NON-UL 30#*25C+1+AL,OD=7.0mm,BEIGE COLOR,PVC JACKET.
2. LENGTH: L
3. CONNECTOR: DB25M *1PCS,DB 25F*1PCS.(BLUE INSULATOR)
4. SCREW:# 4*40 INCH SCREW *4PCS.
5. MOLD:BEIGE MOLDING
6. CONTACTS:

DB25M	1	2	3	23	24	25	64
DB25F	1	2	3	23	24	25	64

7. OPEN/SHORT TEST:100% TEST.
INSULATION:5M/MIN.

**** Please note : Internal wire colors may change between each item!**



1PCS/PE BAG+STICKER

Company		Goods Code		Draw	FC001 WJF	Date	2009.10.13
ITEM NO.	AK 40XX(M-F)	Drawing Evidence		Check		Date	
Goods NO.				Approval		Date	
Original NO.	S-*****	Unit(mm)					

ACT

D		
C	Adding wire colour info	17-10-23
B	Adding Packaging Info.	10.04.02ZXW
VER. A	REVISE	Date