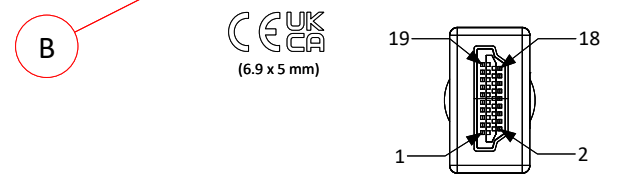
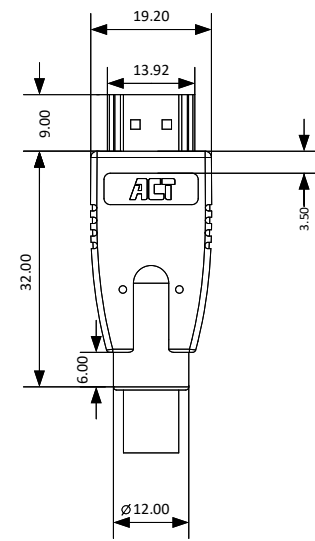
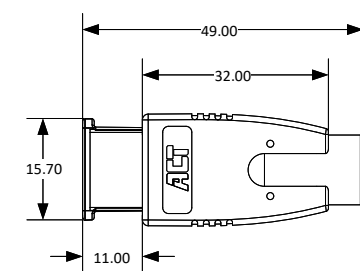
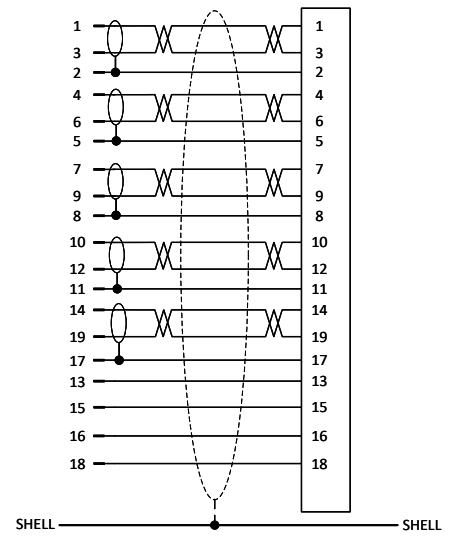


CABLE MARKING: ULTRA HIGH SPEED HDMI® CABLE



**Signal Assignment**



| ITEM  | PART                    | DESCRIPTION           |
|-------|-------------------------|-----------------------|
| A + B | Connector type          | HDMI A male           |
|       | Contacts                | Gold plated           |
|       | Hood                    | Molded plastic        |
|       | Shield type             | Aluminum Mylar        |
|       | Conductor material      | Copper                |
| C     | Cable colour            | Black                 |
|       | Outer jacket            | PVC                   |
|       | Wire gauge              | 30 AWG                |
|       | Outer diameter          | ∅6.5 ±0.2mm           |
|       | Bend radius             | 40mm                  |
|       | Temperature range       | -20°C to +70°C (+5 %) |
|       | Humidity range          | 45% to +65%           |
|       | Max bandwidth           | 48 Gb/s               |
|       | HDMI version            | 2.1                   |
|       | HDMI standard           | HDMI Ultra High Speed |
|       | Max. resolution @ 60Hz  | 7680 x 4320 (8K)      |
|       | Max. resolution @ 120Hz | 3840 x 2160 (4K)      |
|       | Chroma sampling         | 4:4:4                 |
|       | Colour bit depth        | 8 bits per colour     |
| D     | Protective cap          | PE                    |

| Item No. | Length(m) |
|----------|-----------|
| AK3907   | 1.0m      |
| AK3908   | 1.5m      |
| AK3909   | 2.0m      |

**HDMI 8K Ultra High Speed cable v2.1**

|                          |                         |
|--------------------------|-------------------------|
| <b>Item : AK390x</b>     | <b>Revision : 01-AA</b> |
| <b>Date : 18-07-2023</b> |                         |

This drawing is proprietary information of ACT Connectivity Solutions and confidential and provided to you for internal use on a need to know basis only. This document may not be duplicated for or disseminated to any third party without the prior explicit written consent of ACT Connectivity Solutions. Copies of this document, Printed or electronic, are uncontrolled and intended only for immediate use.

Drawn by : EP