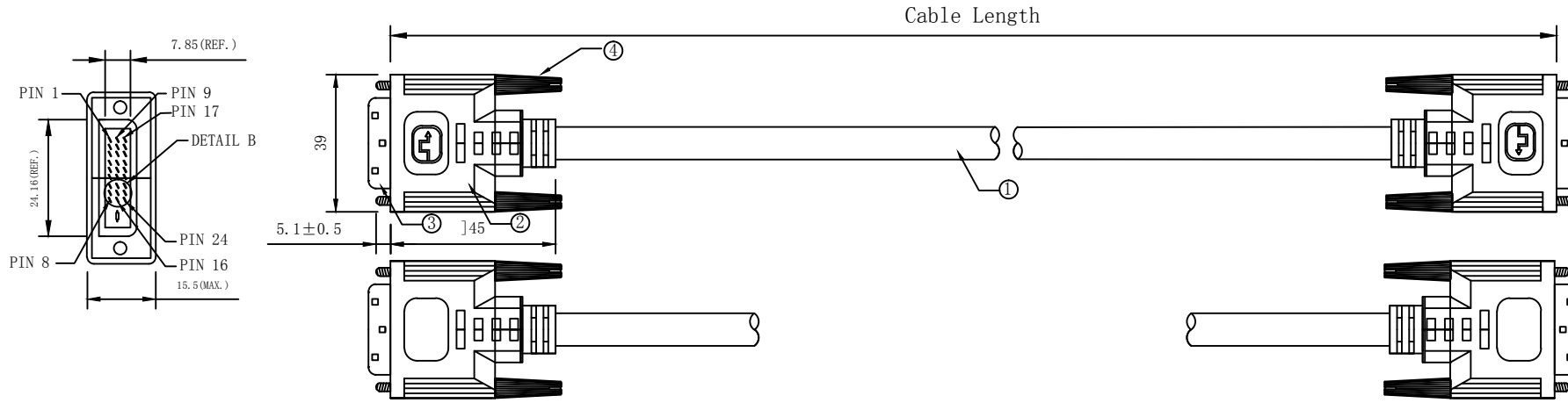
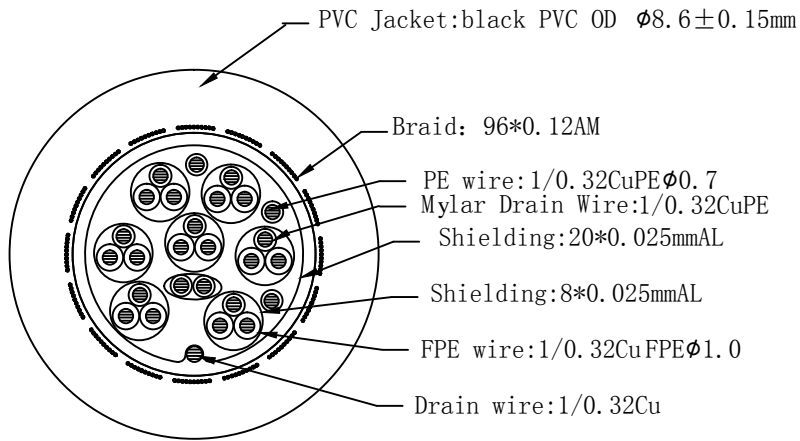


RoHS

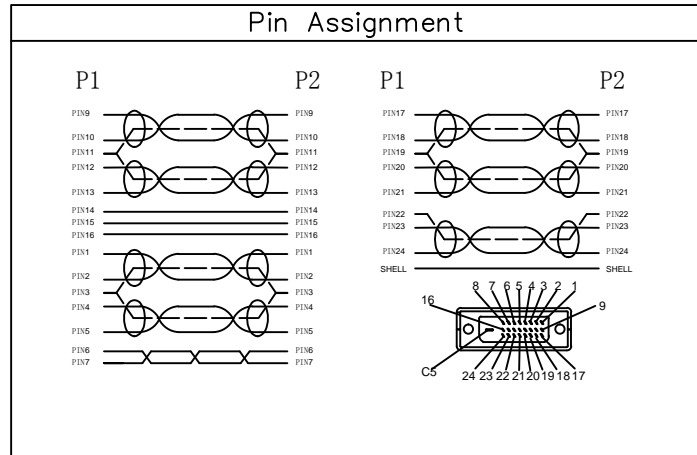
REV.	DESCRIPTION	DATE
A	AK3832	2015-09-23
B		



Cable Specifications:



Pin Assignment



PART NO.	CABLE LENGTH
AK3829	0.5M
AK3830	2M
AK3831	3M
AK3832	5M
AK3833	1M
AK3834	1.5M

BOM LIST

SPECIFICATIONS

NO.	DESCRIPTION
1	DVI24+1Pin UL20276 28AWG OD8.6 (1/0.32Cu*1P+1/0.32Cu+AL+M)*7+(1/0.32Cu*1P)+1/0.32Cu*3C+96AM+AL-D
2	50P black cable housing, DVI 24+1 Pin connector gold plated
3	Clear PE inner molding
4	PE32 black screw

ITEM NUMBER	DRAWER			yu
TITLE	DVI24+1Pin28AWG			CHECKED
MATERIAL	SCALE			APPROVED
REV.	A	UNIT	INCH	
DRAWING NO:				

