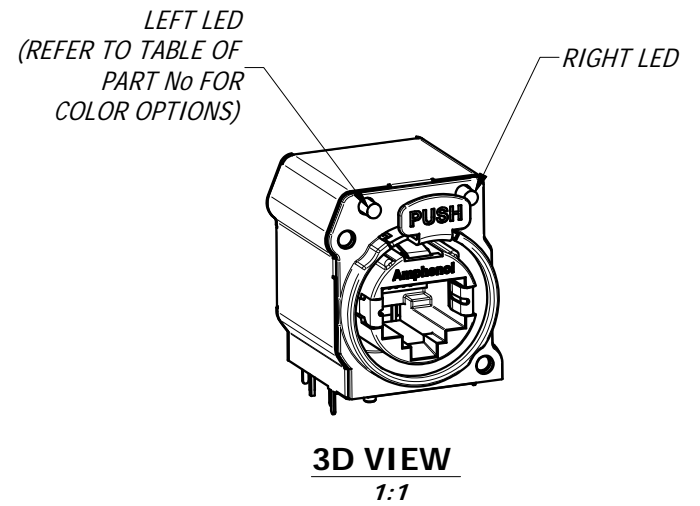
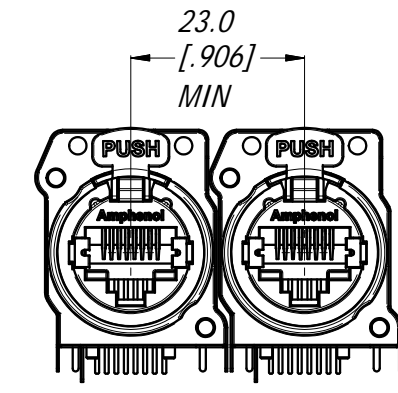
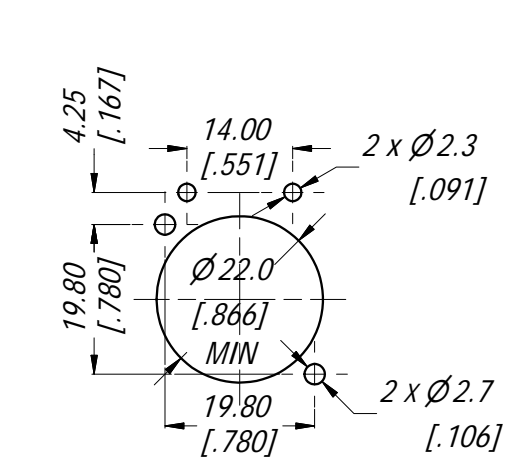
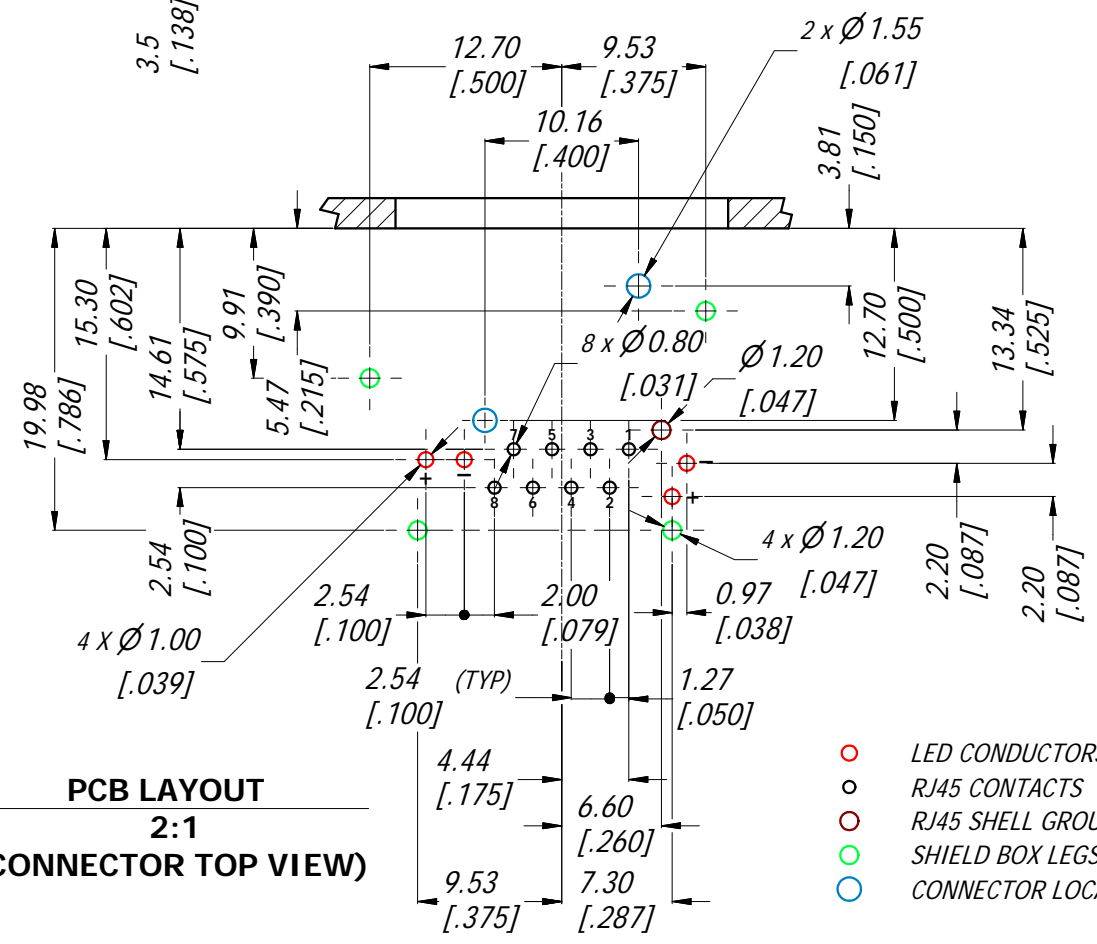


TABLE OF PART NUMBERS

PART No.		
METAL FRONT SHELL FINISH	LED COLOR	
NICKEL	LEFT	RIGHT
RJX8FB5HRGEB	RED	GREEN
RJX8FB5HRYEB	RED	YELLOW
RJX8FB5HRREB	RED	RED
RJX8FB5HGREB	GREEN	RED
RJX8FB5HGYEB	GREEN	YELLOW
RJX8FB5HGGEB	GREEN	GREEN
RJX8FB5HYREB	YELLOW	RED
RJX8FB5HYEB	YELLOW	YELLOW
RJX8FB5HUUEB	BLUE	BLUE



PANEL CUT OUT
1:1
(CONNECTOR FRONT VIEW)

MIN MOUNTING PITCH
1:1

3D VIEW
1:1

PCB LAYOUT
2:1
(CONNECTOR TOP VIEW)

PSE PINOUT ALTERNATIVES

CONDUCTOR	Alternative-A (MDI-X)	Alternative-A (MDI)	Alternative-A (All)
1	Negative V _{PSE}	Positive V _{PSE}	
2	Negative V _{PSE}	Positive V _{PSE}	
3	Positive V _{PSE}	Negative V _{PSE}	
4			Positive V _{PSE}
5			Positive V _{PSE}
6	Positive V _{PSE}	Negative V _{PSE}	
7			Negative V _{PSE}
8			Negative V _{PSE}

SPECIFICATIONS:

- MATERIALS:**
 - PLASTIC INSERT & HOUSING: HIGH TEMPERATURE THERMOPLASTIC FLAMMABILITY RATING UL94V-0 DSM Stanyl, 30% BLACK
 - FRONT METAL SHELL: ZINC ALLOY ZAMAK 3, NICKEL PLATE (B TYPE).
 - CONTACTS: PHOSPHORE BRONZE, 1.27 um GOLD PLATE ON MATING SURFACES, 1.27 um NICKEL MIN UNDERPLATE. 3.81 um MIN MATTE TIN ON CONTACT TAILS.
 - LATCH LOCK AND SPRING: SPRING STEEL, NICKEL PLATE.
 - EMI/RFI HOOD: BRASS, TIN PLATE
- ELECTRICAL CHARACTERISTICS:**
 - RATED VOLTAGE: 125 VAC
 - TYPICAL CONTACT RESISTANCE: 20 mOhm
 - INSULATION RESISTANCE: >500 MOhm
 - DIELECTRIC STRENGTH: 1000 VAC, 60 SECONDS
 - TRANSMISSION SPECIFICATION/CLASS: COMPLIES WITH CAT5e 1000 BASE-T PER EIA-568-C.2
 - PoE+ COMPLIES WITH 802.3at Type 2 (SEE PSE PINOUT ALTERNATIVE TABLE)



UNLESS OTHERWISE SPECIFIED TOLERANCE TO BE		THIS DOCUMENT IS THE PROPERTY OF AMPHENOL AUSTRALIA PTY. LTD. NO PART THEREOF MAY BE REPRODUCED AND USED WITHOUT THE PRIOR WRITTEN CONSENT OF THE OWNER.		Amphenol	Amphenol Australia Pty.Ltd, 20 Industry Blvd, Carrum Downs VIC 3201 Australia	
LINEAR	ANGULAR	MATERIAL: REFER SPECIFICATION	DRN: T.N DATE: 20/05/12		TITLE: XLRnet CONNECTOR RJ45 RECP CAT5e CUSTOMER DRAWING	PART No: REFER TO TABLE OF PART NUMBERS
X ± 0.5 X.X ± 0.1 X.X ± 0.05	X' ± 1 X.X' ± 30' X.X'X' ± 15'	DO NOT SCALE	FINISH:	APP'D: P.M DATE: 21/05/12	DRAWING No. 55010837-000	SHEET 1/1
DIMENSIONS IN MILLIMETRES		THIRD ANGLE PROJECTION	SCALE: 3:2	SIZE: A3		