

1 2 3 4 5 6 7

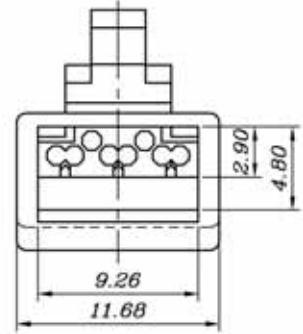
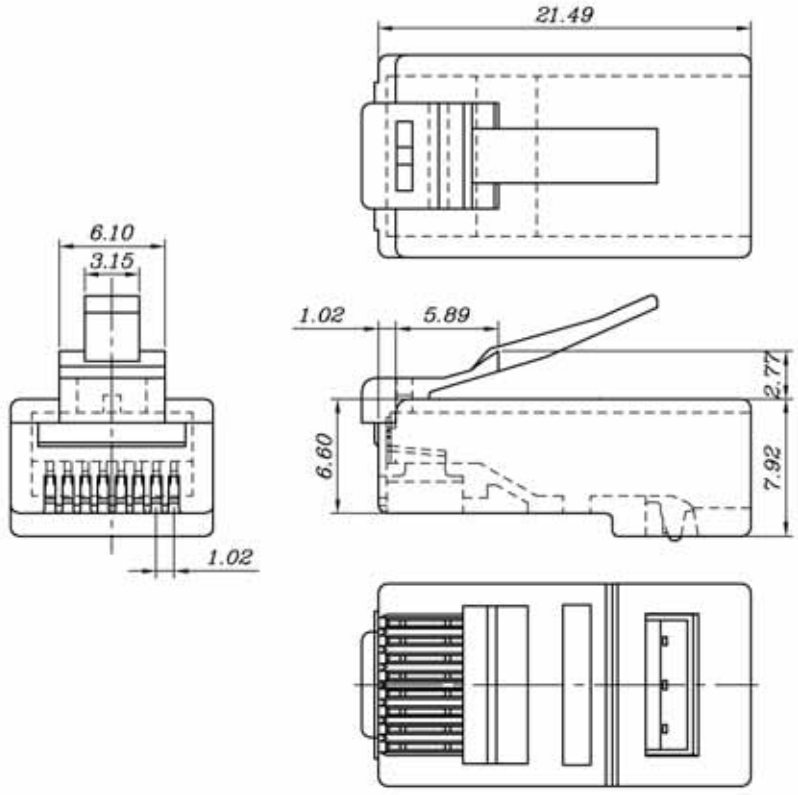
REV	DATE	MODIFICATION	DRAWN
	25/12/09		

A

B

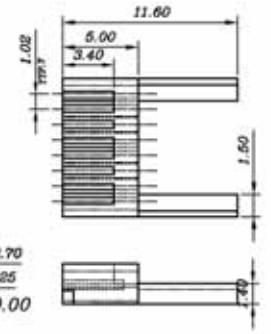
C

D



SPECIFICATIONS

- 1.ELECTRICAL:**
 UL APPLICATIONS: 250 VOLTS AC MAX., AT 2 AMPS.
 DIELECTRIC WITHSTANDING VOLTAGE : 500 VOLTS AC.
 INSULATION RESISTANCE: 100 M Ω.
 TERMINATION: RESISTANCE 20m Ω MAX AFTER ENVIRONMENTAL TESTING.
- 2.MECHANICAL:**
 CABLE-TO-PLUG TENSILE STRENGTH : 20POUND MIN.
 DURABILITY : 200 MATING CYCLES.
- 3.MATERIAL & FINISH:**
 HOUSING: POLYCARBONATE, UL94V-0 OR UL94V-2.
 COLOR : TRANSPARENT OR OTHER COLOR ARE AVAILABLE.
 CONTACT BLADE: COPPER ALLOY.
 CONDUCTOR : STRANDED & SOLID WIRE , 24AWG, 26 AWG.
 GOLD PLATING: 3u"-50u", ARE AVAILABLE.
 SHIELDED SHELL: COPPER ALLOY.



BLADE:	Z			
Drawing		CABLE TYPE	ROUND	
Mark		Mark	✓	
GOLD PLATING				50u"
Mark			✓	

AC		MATERIAL	DWG NO.	
DIMENSION IN mm (inch) TOLERANCE UNLESS OTHERWISE SPECIFIED		PC	TD168M	
.X±0.20	.X°±5°	TITLE		
.XX±0.10	.XX°±2°	DRAWN		
APPROVAL	CHECKED	DRAWN	SCALE 2/1	SHEET 1/1
		LiJing	PROJ.	REV A

1 2 3 4 5 6 7