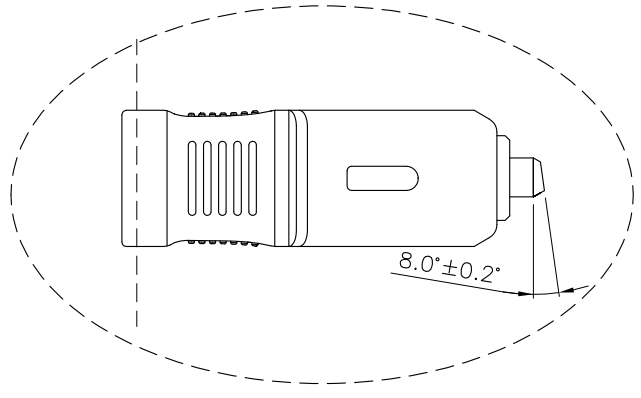


LC/APC Angles(SCALE 2/1)



SC/APC Angles(SCALE 2/1)

"#": Matching DIM. "*" : Important DIM. Others General DIM. GENERAL TOLERANCE OF DIMENSIONS X.XXX ±0.005 X.XX ±0.05 X.X ±0.1	DRAWING	20.JUL.2019	YMN					
	CHECK	20.JUL.2019	DAY					
	APPROVAL	20.JUL.2019	FRANK					
	DATE	NAME		ITEM NO.: RL27XX				
	SCALE	1/1 (A4)	UNIT	mm	DES.: LCAPC-SCAPC 9/125 Duplex OS2 2.0mm LSZH			
	DRAWING NO. LCAPC-SCAPC 9/125 Duplex OS2 2.0mm LSZH(S05)		DRAWING CLASSIFICATION		S	SHEET	1 OF 2	

1

2

3

4

5

6

A

A

B

B

C

C

D

D

Description 1


Description 2

ACT Fiber Optical Patch Cord

LC/APC to SC/APC Duplex Singlemode 9/125, OS2

Model: xxxx-xxxxxx

IIC-code: xxxxx



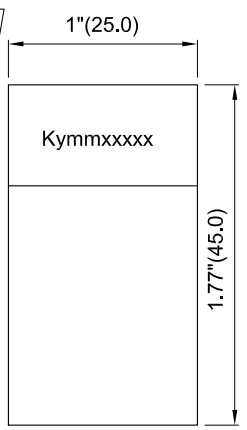
x xxxxxx xxxxxx

Performance: (@23°C) $\lambda=1310/1550 \pm 20\text{nm}$

Serial No.	Insertion Loss		Return Loss	
	1310nm	1550nm	1310nm	1550nm
Kymmxxxx	A			
	B			
	C			
	D			

-ACT advices to clean connector ferrule before usage to get optimal performance
-Always leave the dust caps on if the cable isn't installed

Prepared By : QC Date :



DETAIL B
y: Year; mm: Month
xxxx: Serial Number

Specification:

1. LC Connector : LC/APC Singlemode

Mode	Ferrule	Housing	Clip	Boot	Cap
SM APC	Zirconia($\phi 1.25\text{mm}$)	Green(PC)	Green(PP)	White/Green(TPE)	White(PE)

2. SC Connector : SC/APC Singlemode

Mode	Ferrule	Housing	Boot	Cap
SM APC	Zirconia($\phi 2.50\text{mm}$)	Green(PBT)	Green(TPE)	Green(PE)

3. 3-1.Cable Type : Zipcord

Category	Jacket O.D.	Jacket Material	Color
G.657A2(9/125um)	$\phi 2.0\text{mm}$	LSZH	Yellow

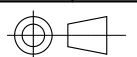

3-2.Cable Text Printing : ACT Premium Singlemode Fiber Optic Patch Cable
9/125um OS2 LSZH MM/YY xxxxM

4. Length : xM

Performance:

- a. Insertion Loss : Singlemode Average < 0.10 dB, Max. < 0.2 dB.
- b. Return Loss : APC > 60 dB.
- c. Insertion Loss will be Increased after 500 mating : 0.2 dB Max
- d. Operating Temperature : -20°C to +70°C
- e. Storage Temperature : -40°C to +80°C

RL2710	10	10	32.8'(10000)	LC/APC-SC/APC 9/125 OS2	10.00M
RL2705	05	5	16.4'(5000)	LC/APC-SC/APC 9/125 OS2	5.00M
RL2703	03	3	9.84'(3000)	LC/APC-SC/APC 9/125 OS2	3.00M
RL2702	02	2	6.56'(2000)	LC/APC-SC/APC 9/125 OS2	2.00M
RL2701	01	1	3.28'(1000)	LC/APC-SC/APC 9/125 OS2	1.00M
Part NO.	**	XX	L	Description	

"#" : Matching DIM. "*" : Important DIM. Others General DIM.	DRAWING	20.JUL.2019	YMN	ACT	
	CHECK	20.JUL.2019	DAY		
	APPROVAL	20.JUL.2019	FRANK		
GENERAL TOLERANCE OF DIMENSIONS		DATE	NAME	ITEM NO.: RL27XX	
X.XXX ±0.005 X.XX ±0.05 X.X ±0.1	SCALE	1/1 (A4)	UNIT	mm	DES.: LCAPC-SCAPC 9/125 Duplex OS2 2.0mm LSZH
		DRAWING NO.	LCAPC-SCAPC 9/125 Duplex OS2 2.0mm LSZH(S05)		
		DRAWING CLASSIFICATION	S	SHEET 2 OF 2	

1

2

0

3

4

10cm

5

6