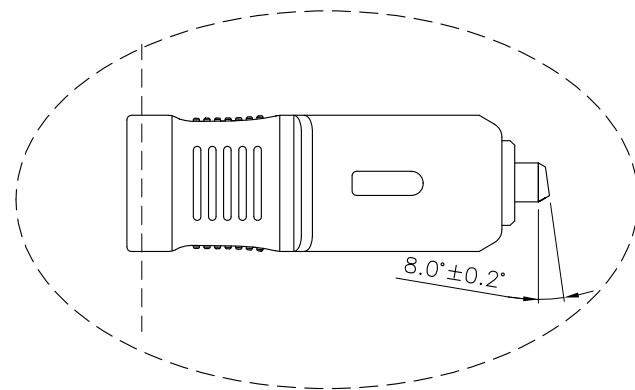


SC/APC Angles(SCALE 2/1)



SC/APC Angles(SCALE 2/1)

"#": Matching DIM. "*": Important DIM. Others General DIM.	DRAWING	27.JUN.2019	YMN		
	CHECK	27.JUN.2019	DAY		
	APPROVAL	27.JUN.2019	FRANK		
GENERAL TOLERANCE OF DIMENSIONS	DATE	NAME		ITEM NO.: RL16XX	
X.XXX ±0.005 X.XX ±0.05 X.X ±0.1	SCALE	1/1 (A4)	UNIT	mm	DES.: SCAPC-SCAPC 9/125 Duplex OS2 2.0mm LSZH
			DRAWING NO. SCAPC-SCAPC 9/125 Duplex OS2 2.0mm LSZH(S03)		
			DRAWING CLASSIFICATION		

1

2

3

4

5

6

A

A

Description 1

ACT Fiber Optical Patch Cord

SC/APC to SC/APC Duplex Singlemode 9/125, OS2

Model: xxxx-xxxxxx

IIC-code: xxxxx

PO/NO. _____

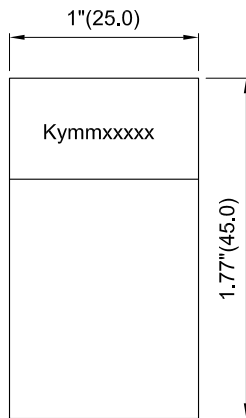
Performance: (@23°C) $\lambda=1310/1550 \pm 20\text{nm}$

Serial No.	Insertion Loss		Return Loss	
	1310nm	1550nm	1310nm	1550nm
Kymmxxxx	A			
	B			
	C			
	D			

–ACT advices to clean connector ferrule before usage to get optimal performance
–Always leave the dust caps on if the cable isn't installed

Prepared By : qc Date :

Description 2



DETAIL B

y: Year; mm: Month
xxxx: Serial Number

Specification:

1. SC Connector : SC/APC Singlemode

Mode	Ferrule	Housing	Boot	Cap
SM APC	Zirconia($\phi 2.50\text{mm}$)	Green(PBT)	Green(TPE)	Green(PE)

- 2-1.Cable Type : Zipcord

Category	Jacket O.D.	Jacket Material	Color
G.657A2(9/125um)	$\phi 2.0\text{mm}$	LSZH	Yellow

- 2-2.Cable Text Printing : ACT Premium Singlemode Fiber Optic Patch Cable 9/125um OS2 LSZH MM/YY xxxxM

3. Length : xM

Performance:

- a. Insertion Loss : Singlemode Average<0.10 dB, Max.<0.2 dB.
- b. Return Loss : APC>60 dB.
- c. Insertion Loss will be Increased after 500 mating : 0.2 dB Max
- d. Operating Temperature : -20°C to +70°C
- f. Storage Temperature : -40°C to +80°C

B

B

RL1650	50	50	164'(50000)	SC/APC8<->SC/APC8 DUP	8716065321982
RL1630	30	30	98.4'(30000)	SC/APC8<->SC/APC8 DUP	8716065321975
RL1625	25	25	82'(25000)	SC/APC8<->SC/APC8 DUP	8716065321968
RL1620	20	20	65.6'(20000)	SC/APC8<->SC/APC8 DUP	8716065321951
RL1615	15	15	49.2'(15000)	SC/APC8<->SC/APC8 DUP	8716065321944
RL1610	10	10	32.8'(10000)	SC/APC8<->SC/APC8 DUP	8716065321937
RL1605	05	5	16.4'(5000)	SC/APC8<->SC/APC8 DUP	8716065321920
RL1603	03	3	9.84'(3000)	SC/APC8<->SC/APC8 DUP	8716065321913
RL1602	02	2	6.56'(2000)	SC/APC8<->SC/APC8 DUP	8716065321906
RL1601	01	1	3.28'(1000)	SC/APC8<->SC/APC8 DUP	8716065321890
Part NO.	**	XX	L	Description 1	Description 2

C

C

D

D

"#" : Matching DIM. "*" : Important DIM. Others General DIM.	DRAWING	27.JUN.2019	YMN	ACT	
	CHECK	27.JUN.2019	DAY		
	APPROVAL	27.JUN.2019	FRANK		
GENERAL TOLERANCE OF DIMENSIONS		DATE	NAME	ITEM NO.: RL16XX	
X.XXX ±0.005 X.XX ±0.05 X.X ±0.1	SCALE	1/1 (A4)	UNIT	mm	DES.: SCAPC-SCAPC 9/125 Duplex OS2 2.0mm LSZH
		DRAWING NO.	SCAPC-SCAPC 9/125 Duplex OS2 2.0mm LSZH(S03)		
		DRAWING CLASSIFICATION	S	SHEET 2 OF 2	

1

2

0

3

4

10cm

5

6