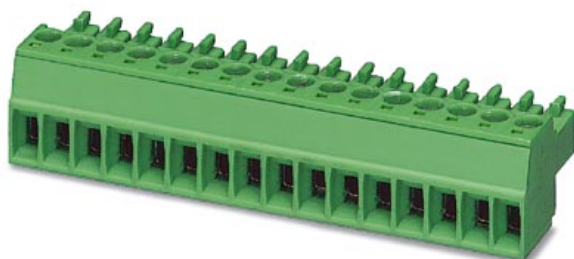


Please note that the data given here has been taken from the online catalog. For comprehensive information and data, please refer to the user documentation at <http://www.download.phoenixcontact.com>. The General Terms and Conditions of Use apply to Internet downloads.

► Extract from the online catalog



Plug component, nominal current: 8 A, rated voltage: 160 V, pitch: 3.81 mm, no. of positions: 2, type of connection: Screw connection

The illustration shows a 16-position version

Order No.	1803578
Ord designation	MC 1,5/ 2-ST-3,81
EAN	4017918045883
Pack	50 Pcs.
Customs tariff	85369010
Catalog page information	Page 82 (CC-2005)

► Technical data

Dimensions / positions

Height	11.1 mm
Pitch	3.81 mm
Dimension a	3.81 mm
Number of positions	2
Screw thread	M 2
Tightening torque, min	0.22 Nm

Technical data

Insulating material group	I
Rated surge voltage (III/3)	2.5 kV
Rated surge voltage (III/2)	2.5 kV
Rated surge voltage (II/2)	2.5 kV
Rated voltage (III/2)	160 V
Rated voltage (II/2)	320 V
Connection in acc. with standard	EN-VDE
Nominal current I_N	8 A
Nominal voltage U_N	160 V
Nominal cross section	1.5 mm ²
Maximum load current	8 A (with 1.5 mm ² conductor cross section)
Insulating material	PA
Inflammability class acc. to UL 94	V0
Internal cylindrical gage	A1
Stripping length	7 mm

Connection data

Conductor cross section, rigid min.	0.14 mm ²
Conductor cross section, rigid max.	1.5 mm ²
Conductor cross section flexible min.	0.14 mm ²
Conductor cross section, flexible max.	1.5 mm ²
Conductor cross section flexible, with ferrule without plastic sleeve min.	0.25 mm ²
Conductor cross section flexible, with ferrule without plastic sleeve max.	1.5 mm ²
Conductor cross section flexible, with ferrule with plastic sleeve min.	0.25 mm ²
Conductor cross section flexible, with ferrule with plastic sleeve max.	0.5 mm ²
Conductor cross section AWG/kcmil min.	28
Conductor cross section AWG/kcmil max	16
2 conductors with same cross section, solid min.	0.08 mm ²
2 conductors with same cross section, solid max.	0.5 mm ²
2 conductors with same cross section, flexible, min.	0.08 mm ²
2 conductors with same cross section, flexible max.	0.75 mm ²
2 conductors with same cross section, flexible, ferrules without plastic sleeve min.	0.25 mm ²
2 conductors with same cross section, flexible, ferrules without plastic sleeve, max.	0.34 mm ²
2 conductors with same cross section, flexible, TWIN ferrules with plastic sleeve, min.	0.5 mm ²
2 conductors with identical cross section, flexible TWIN ferrules with plastic sleeve, max.	0.5 mm ²

► Certificates

Certificate logos



UL

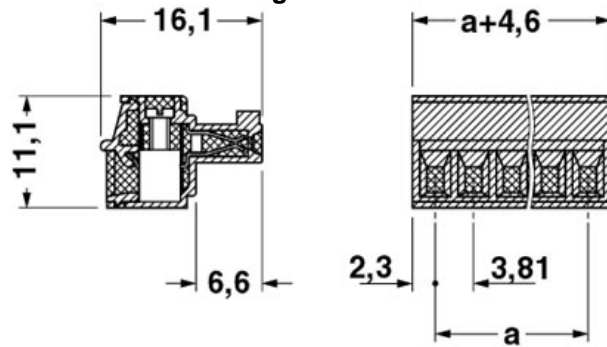
Nominal voltage U_N	300 V
Nominal current I_N	8 A
AWG/kcmil	30-14

CSA

Nominal voltage U_N	300 V
Nominal current I_N	8 A
AWG/kcmil	28-16

► Drawings

Dimensioned drawing



► Accessories

Item	Designation	Description
General		
1834343	KGK-MC 1,5/ 2	Cable housing, for cable diameters of up to 5 mm, cable ties and marker strips are included, color: green, no. of positions: 2
Marking		
0804109	SK 3,81/2,8:FORTL.ZAHLEN	Marker card, printed horizontally, self-adhesive, 10-section marker strip, 14 identical decades marked 1-10, 11-20 etc. up to 91-(99)100, sufficient for 140 terminal blocks
Tools		
1205037	SZS 0,4X2,5	Screwdriver, bladed, matches all screw terminal blocks up to 1.5 mm ² connection cross section, blade: 0.4 x 2.5 mm

► Additional products

Item	Designation	Description
General		
1897801	EMC 1,5/ 2-G-3,81	Header, nominal current: 8 A, rated voltage: 160 V, pitch: 3.81 mm, no. of positions: 2, mounting: Press in
1860647	EMCV 1,5/ 2-G-3,81	Header, nominal current: 8 A, rated voltage: 160 V, pitch: 3.81 mm, no. of positions: 2, mounting: Press in
1857883	IMC 1,5/ 2-ST-3,81	Plug component, nominal current: 8 A, rated voltage: 160 V, pitch: 3.81 mm, no. of positions: 2, type of connection: Screw connection
1803277	MC 1,5/ 2-G-3,81	Header, nominal current: 8 A, rated voltage: 160 V, pitch: 3.81 mm, no. of positions: 2, mounting: Soldering
1908761	MC 1,5/ 2-G-3,81 THT	Header, nominal current: 8 A, rated voltage: 160 V, pitch: 3.81 mm, no. of positions: 2, mounting: SMD/THT
1829950	MCD 1,5/ 2-G-3,81	Header, nominal current: 7 A, rated voltage: 160 V, pitch: 3.81 mm, no. of positions: 2, mounting: Soldering
1843075	MCD 1,5/ 2-G1-3,81	Header, nominal current: 7 A, rated voltage: 160 V, pitch: 3.81 mm, no. of positions: 2, mounting: Soldering
1830402	MCDV 1,5/ 2-G-3,81	Header, nominal current: 7 A, rated voltage: 160 V, pitch: 3.81 mm, no. of positions: 2, mounting: Soldering
1847725	MCDV 1,5/ 2-G1-3,81	Header, nominal current: 7 A, rated voltage: 160 V, pitch: 3.81 mm, no. of positions: 2, mounting: Soldering
1803426	MCV 1,5/ 2-G-3,81	Header, nominal current: 8 A, rated voltage: 160 V, pitch: 3.81 mm, no. of positions: 2, mounting: Soldering
1908910	MCV 1,5/ 2-G-3,81 THT	Header, nominal current: 8 A, rated voltage: 160 V, pitch: 3.81 mm, no. of positions: 2, mounting: SMD/THT
1837450	MCVDU 1,5/ 2-G-3,81	Header, nominal current: 8 A, rated voltage: 160 V, pitch: 3.81 mm, no. of positions: 2, mounting: Soldering
1827279	SMC 1,5/ 2-G-3,81	Header, nominal current: 8 A, rated voltage: 160 V, pitch: 3.81 mm, no. of positions: 2, mounting: Soldering

► Address

PHOENIX CONTACT GmbH & Co. KG
Flachsmarktstr. 8
32825 Blomberg
Germany
Phone +49 5235 3 00
Fax +49 5235 3 1200
<http://www.phoenixcontact.com>
Phoenix Contact
Technical modifications reserved;