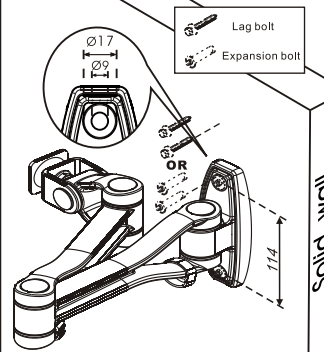


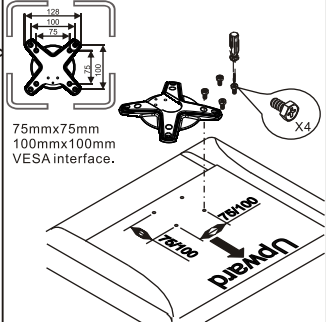
Step 2

Secure arm firmly to the solid cement wall with two expansion bolts (not supplied). Secure arm firmly to the solid wood wall with two lag bolts (not supplied).



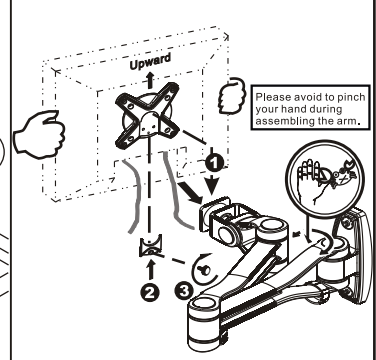
Step 3

Place LCD with facing downward on flat surface. Place VESA on the LCD back as figure and align to the screw holes. Secure them together with four screws. And then tighten them up with screwdriver (not provided).

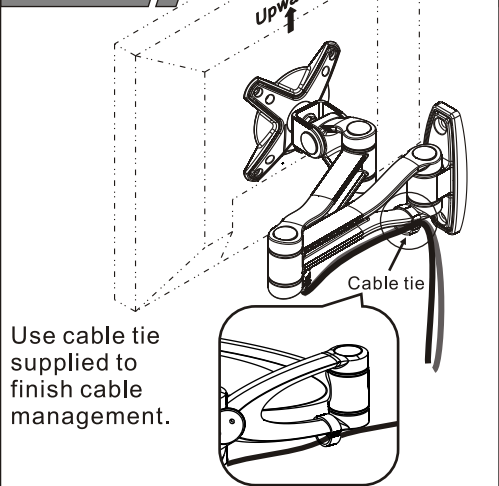


Step 4

Insert the VESA (with LCD display on already) into the arm and press it down. Then secure fixing lump on VESA with knob. (as figure down step 1. 2. 3)

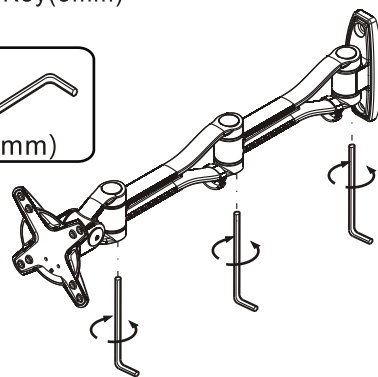
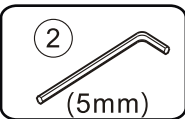


Step 5

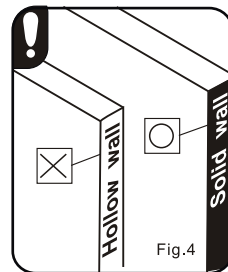
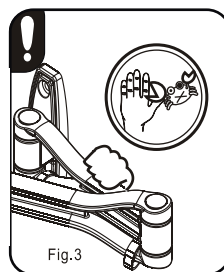
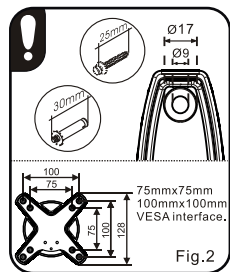
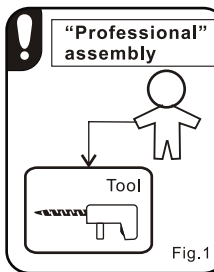


Step 6

When the screw is loosen, please use the AllenKey (5mm)

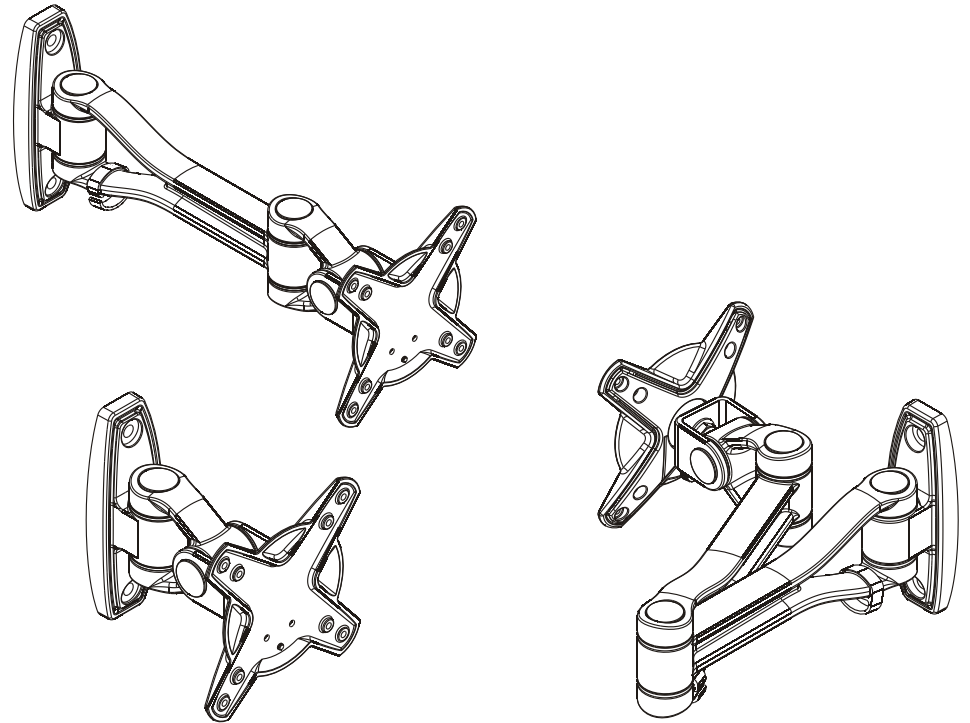


Cautions:



NewStar user's Manual

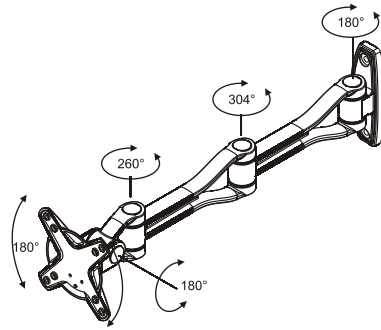
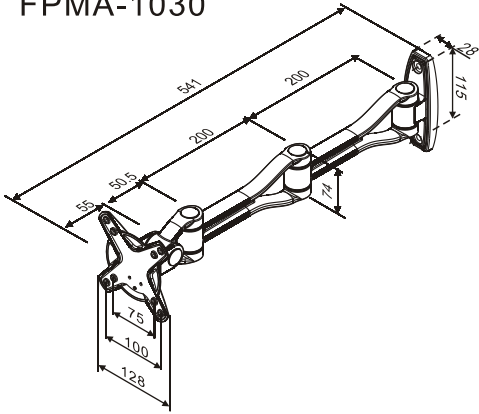
LCD Monitor Arm FPMA-W1010.FPMA-W1020.FPMA-W1030



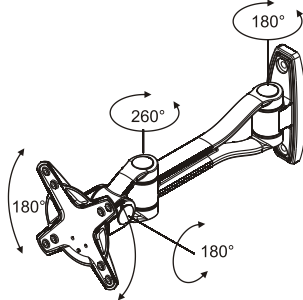
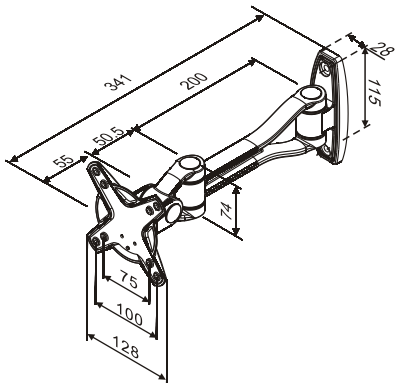
NEWSTAR
computer products

www.NewStar.nl
Phone: + 31 (0) 23 547 88 88

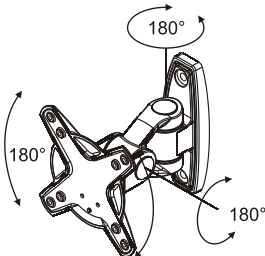
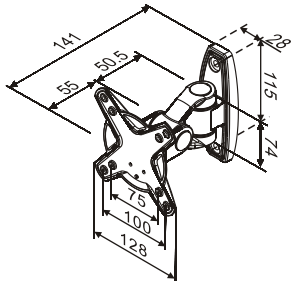
LCD Monitor Arm Range of use angle: _____ FPMA-1030



FPMA-1020



FPMA-1010

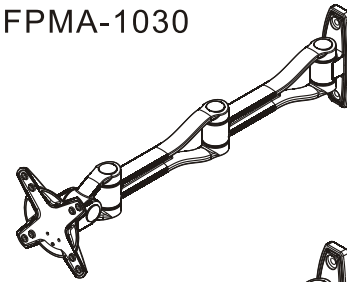


Unit : mm

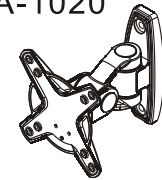
To mount your flat panel monitor or any parts at an ergonomically correct position, start at step 1 and continue as directed.

Part Check-List _____

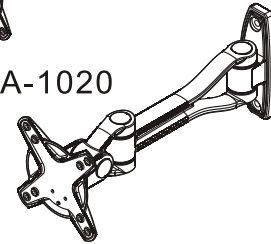
FPMA-1030



FPMA-1020



FPMA-1020



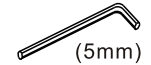
Tool Check-List _____

①



X4

②



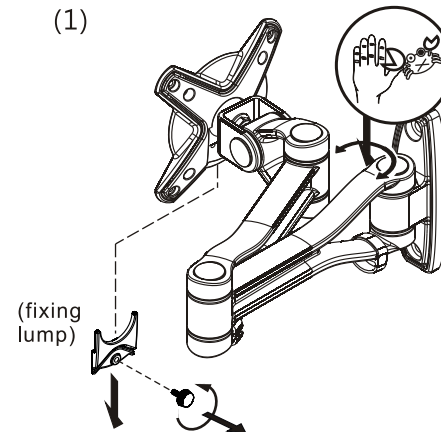
(5mm) X1

Step 1

- (1) Please loosen the knob at first, and then apart the fixing lump.
- (2) Then, take VESA up. If it is difficult to take it up, you can take it by knocking slightly (as figure. B).

Please avoid to pinch your hand during assembling the arm.

(1)



(2)

