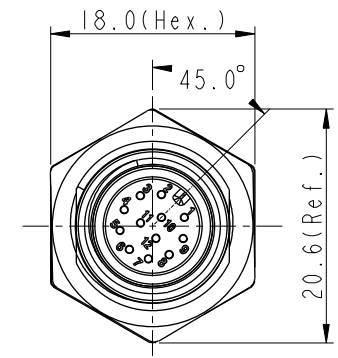
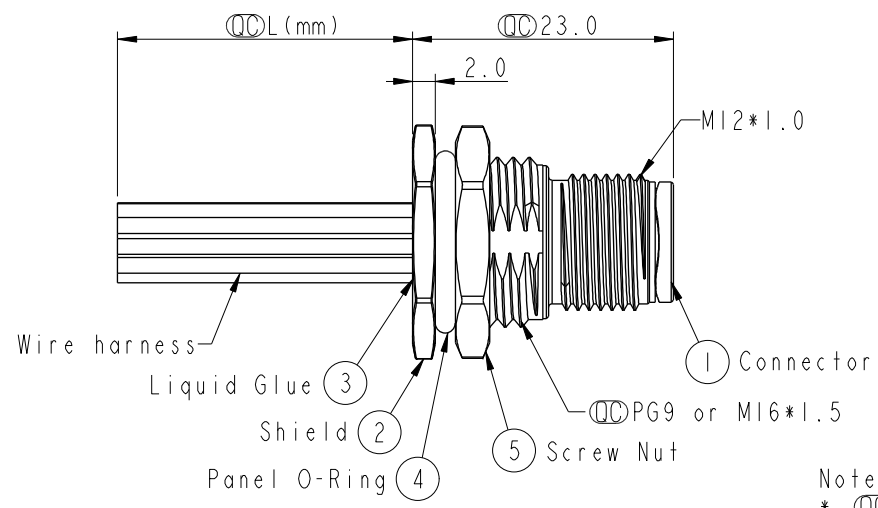
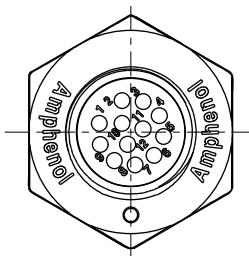


THIS DOCUMENT IS SUBJECT TO CHANGE WITHOUT NOTICE. IT IS CONFIDENTIAL AND A PROPERTY OF Amphenol LTW. DISCLOSURE TO THIRD PARTY HAS TO BE AUTHORIZED BY Amphenol LTW.

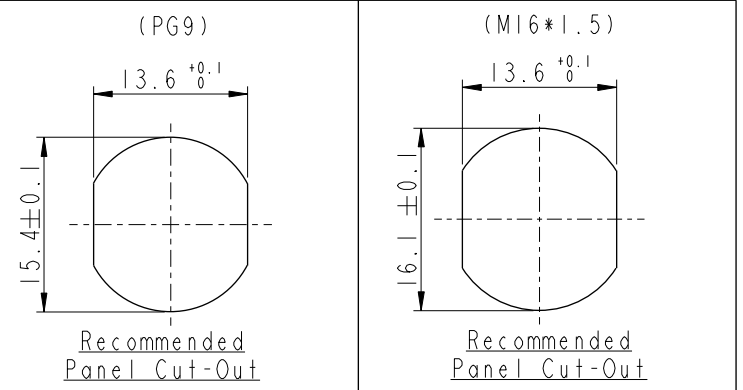
REV.	ECN NO.	DATE	SIGN	DESCRIPTION
B	LE31570252-261	2015/07/23	Yulong_wang	Change to Share Drawing.
C	LEN1680569-580 LEN1680598-603	2016/08/08	Yulong_wang	Add 6Pin & IP69K.
D	E191630	2019/09/19	Ruru	Update Wire Tolerance

△



**ALTW**  
**CONFIDENTIAL**  
 2019-09-19  
 R&D DEPT.

- Notes:
- \*  $\varnothing$  Important Dimension.
  - △ \* Waterproof Rate: IP68, IP69K.
  - \* Connector: Nylon+GF, Black.
  - \* Male Pin: Copper Alloy, Gold Plated.
  - \* Shield: Zinc Alloy, Nickel Plated.
  - \* Screw Nut: Zinc Alloy, Nickel Plated.
  - \* Panel O-Ring: Viton, Black.
  - \* Wire harness: ULI061
  - \* Rated Voltage: 3 & 4Pin 250V dc. or ac.  
5Pin 60V dc. or ac.  
6~12Pin 30V dc. or ac.
  - \* Rated Current: 3~5Pin 4A  
6~8Pin 2A  
10~12Pin 1.5A
  - \* Operating Temperature: -25~85°C
  - \* For Panel Thickness Max 4.5mm.
  - \* Nut Torque: 4~6 Kgf.cm.
  - △ \* Wire harness Tolerance: 150~300±15mm  
301~1000±20mm  
Over1000 ±50/-0mm



UNIT: mm		
TOLERANCE		
.X	±0.25	
.XX	±0.1	
.XXX	±0.05	
ANGLES	±1°	

TITLE M12 A-Code Male Conn. Panel Front With Wire harness		
SCALE 3:2	SIZE A4	SHEET 1 OF 2
REV. D	WC-REV. A.3	$\varnothing$ : Inspection item

**Amphenol LTW**  
 安費諾亮泰企業股份有限公司

ITEM NO	DRAWN BY Ruru	DATE 2019-09-19
DWG NO M12A-XXPMX-SF8XXX	CHECKED BY Rita	DATE 2019-09-19
CUSTOMER ALTW	APPROVED BY Max	DATE 2019-09-19

THIS DOCUMENT IS SUBJECT TO CHANGE WITHOUT NOTICE. IT IS CONFIDENTIAL AND A PROPERTY OF Amphenol LTW. DISCLOSURE TO THIRD PARTY HAS TO BE AUTHORIZED BY Amphenol LTW.

**12A:A-Code**

03: 3Pin  
04: 4Pin  
05: 5Pin  
06: 6Pin

08: 8Pin  
10: 10Pin  
12: 12Pin

P: Panel (板端)  
M: Male Connector (公座)  
M: Male Pin (公Pin)  
C: Crimp Type (打端式)  
S: Solder Type (焊接式)

M 12A - XX P M M X - S F 8 X XX

15: 150mm  
20: 200mm  
95: 950mm  
Cable Pitch Unit=50mm

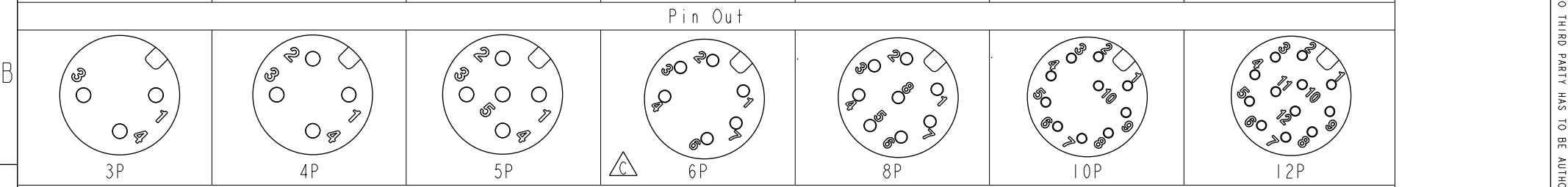
A0: 1000mm  
A5: 1500mm  
Cable Pitch Unit=100mm  
Wire Length (L): 150~1500 mm

B: PG9  
C: M16\*1.5  
8: IP68/69K (防水等級68/69K)

F: Front Fasten (前鑄式/Enclosure Rear Mount)  
S: Screw (螺紋式)

	12P	UL1061			26	M12A-12PMMS-SF8CXX	
	10P					24	M12A-10PMMS-SF8CXX
	8P					22	M12A-08PMMS-SF8CXX
	6P						M12A-06PMMS-SF8CXX
	5P						M12A-05PMMC-SF8CXX
	4P					26	M12A-04PMMC-SF8CXX
	3P						M12A-03PMMC-SF8CXX
	12P					24	M12A-12PMMS-SF8BXX
	10P						M12A-10PMMS-SF8BXX
	8P					22	M12A-08PMMS-SF8BXX
	6P			M12A-06PMMS-SF8BXX			
	5P			M12A-05PMMC-SF8BXX			
	4P				M12A-04PMMC-SF8BXX		
	3P				M12A-03PMMC-SF8BXX		
Contacts	Wire harness	AWG	Item No.				

Pin #	Wire	Pin #	Wire	Pin #	Wire	Pin #	Wire	Pin #	Wire	Pin #	Wire	Pin #	Wire
5	--	5	--	5	Gray	8	--	8	Red	12	--	12	Red/Blue
4	Black	4	Black	4	Black	7	Blue	7	Blue	11	--	11	Gray/Pink
3	Blue	3	Blue	3	Blue	6	Pink	6	Pink	10	Violet	10	Violet
2	--	2	White	2	White	5	--	5	Gray	9	Black	9	Black
1	Brown	1	Brown	1	Brown	4	Yellow	4	Yellow	8	Red	8	Red
						3	Green	3	Green	7	Blue	7	Blue
						2	Brown	2	Brown	6	Pink	6	Pink
						1	White	1	White	5	Gray	5	Gray
										4	Yellow	4	Yellow
										3	Green	3	Green
										2	Brown	2	Brown
										1	White	1	White



Pin Assignments Front View

UNIT: mm		TITLE M12 A-Code Male Conn. Panel Front With Wire harness	<h2 style="margin: 0;">Amphenol LTW</h2> <p style="margin: 0;">安費諾亮泰企業股份有限公司</p>	ITEM NO	DRAWN BY	DATE
TOLERANCE .X ±0.25 .XX ±0.1 .XXX ±0.05 ANGLES ±1°	SCALE 3:2 REV. D	SIZE A4 WC-REV. A.3 SHEET 2 OF 2 QC: Inspection item		DWG NO M12A-XXPMMX-SF8XXX CUSTOMER ALTW	Ruru CHECKED BY Rita APPROVED BY Max	2019-09-19 DATE 2019-09-19 DATE 2019-09-19