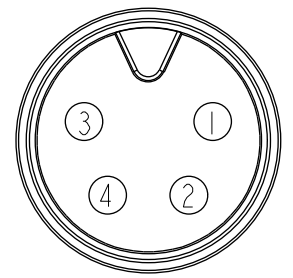
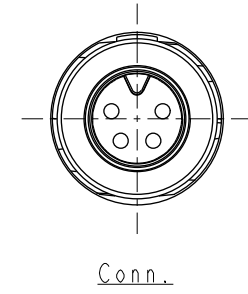
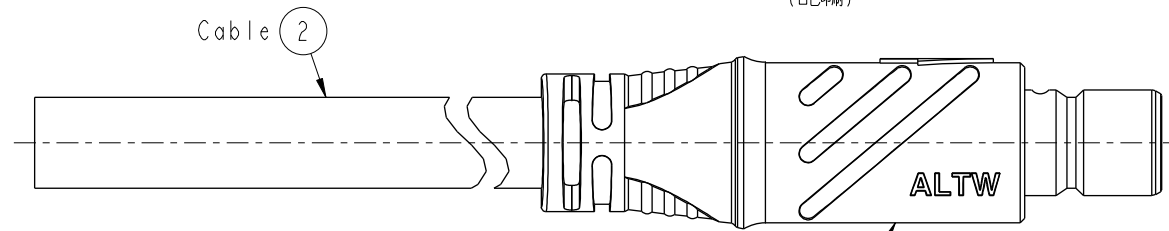
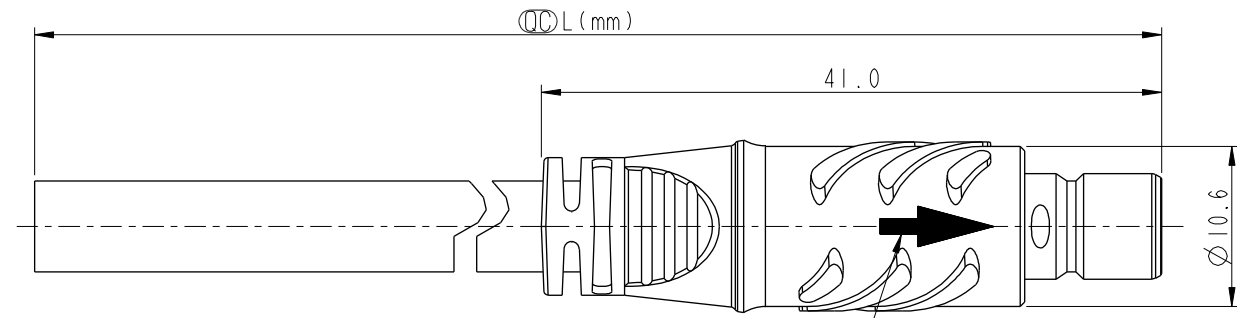


THIS DOCUMENT IS SUBJECT TO CHANGE WITHOUT NOTICE. IT IS CONFIDENTIAL AND A PROPERTY OF Amphenol LTW. DISCLOSURE TO THIRD PARTY HAS TO BE AUTHORIZED BY Amphenol LTW.

REV.	ECN NO.	DATE	SIGN	DESCRIPTION



Pin Assignments
Front View

Blue	藍	4
Red	紅	3
Black	黑	2
White	白	1
Wire Color	Conn.	
Pin Out		

Q8D-04AMMM-QL8AXX
 XX: 01~99Meters
 01: 01Meter
 02: 02Meters
 ...
 99: 99Meters
 Cable Length(L): 01~99Meters

- Notes:
- * \varnothing Important Dimension
 - * Waterproof Rate: IP68 (Mating, 1M/24 Hours)
 - * Connector: Nylon, Black.
 - * Male Pin: Copper Alloy, Gold Plated.
 - * Cable: UL 21996 24AWG*4C, PVC Jacket, OD=6.0 mm.
 - * Cable Length Tolerance: 01M: ±40mm
 02M~05M: ±60mm
 06M~10M: ±100mm
 11M~30M: ±200mm
 31M~99M: ±500mm

UNIT: mm	
TOLERANCE	±0.5 mm

TITLE SIZE 8, OVERMOLDED WITH CABLE P-LOK, 4PIN M CONN M PIN			
SCALE 2:1	SIZE A4	SHEET 1 OF 1	
REV. 01	WC-REV. A.5	\varnothing : Inspection item	

Amphenol LTW
 安費諾亮泰企業股份有限公司

ITEM NO	DRAWN BY Aric	DATE 2016-06-07
DWG NO Q8D-04AMMM-QL8AXX	CHECKED BY Victor	DATE 2016-06-07
CUSTOMER ALTW	APPROVED BY Kevin Hu	DATE 2016-06-07