

heavy|mate® - C146 Housings Housing, bulkhead mounting ( Inc. gasket )

Part No. C146 10F006 000 1

Series Heavy duty connectors heavy|mate® - C 146

Subseries Heavy duty connector heavy|mate® - C146 Housings



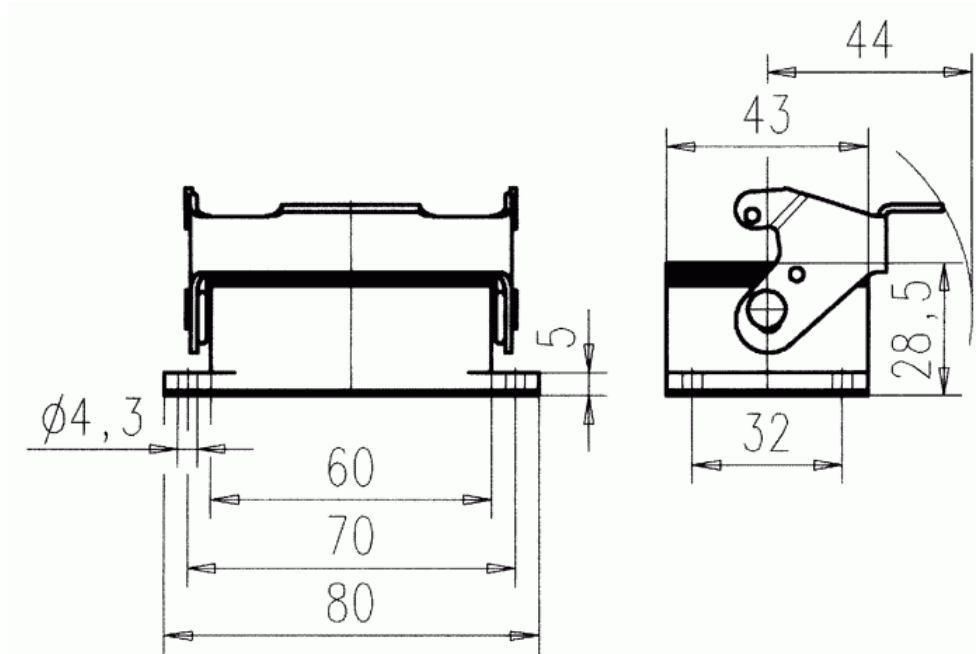
| COMMON CHARACTERISTICS         |  |                           |
|--------------------------------|--|---------------------------|
| IP degree of protection        |  | IP 65                     |
| Housing type                   |  | Housing bulkhead mounting |
| Insert type                    |  | Housing                   |
| Protective cover               |  | PA                        |
| ELECTRICAL CHARACTERISTICS     |  |                           |
| Contact resistance             | DIN EN 60512-2-1, Test 2a / IEC 60512-2-1, Test 2a | 0 m                       |
| CLIMATICAL CHARACTERISTICS     |  |                           |
| Temperature range              |  | - 40 °C / + 100 °C        |
| Upper temperature              |  | + 100 °C / 1000 h         |
| Lower temperatur               |  | - 40 °C / 16 h            |
| MECHANICAL CHARACTERISTICS     |  |                           |
| Mechanical lifetime (standard) |  | IEC 60512-5; Test 9 a     |
| MATERIALS                      |  |                           |
| Gasket                         |  | NBR                       |
| Locking                        |  | 1 locking lever           |
| Dielectric material            |  | special surface           |

heavy|mate® - C146 Housings Housing, bulkhead mounting ( Inc. gasket )

Part No. C146 10F006 000 1

Series Heavy duty connectors heavy|mate® - C 146

Subseries Heavy duty connector heavy|mate® - C146 Housings



Drawing Dimensions in mm (Inch)

04.07.2007