

Turned contacts turned crimp male contact for wire gauge 16 - 15

Part No. VN01 016 0027 1C



Series Contacts

15.11.2012

Subseries Contact Turned contacts

COMMON CHARACTERISTICS		
Wire gauge from		1,5
Wire gauge (AWG) from		16
Wire gauge (AWG) to		15
Packaging / supplied as		Single contact
No. of pieces		100
Sex of Contact		Pin
Type of contact		Turned crimp contact
CLIMATICAL CHARACTERISTICS		
Upper temperature		+ 125 °C
Lower temperatur		- 40 °C

Turned contacts turned crimp male contact for wire gauge 16 - 15

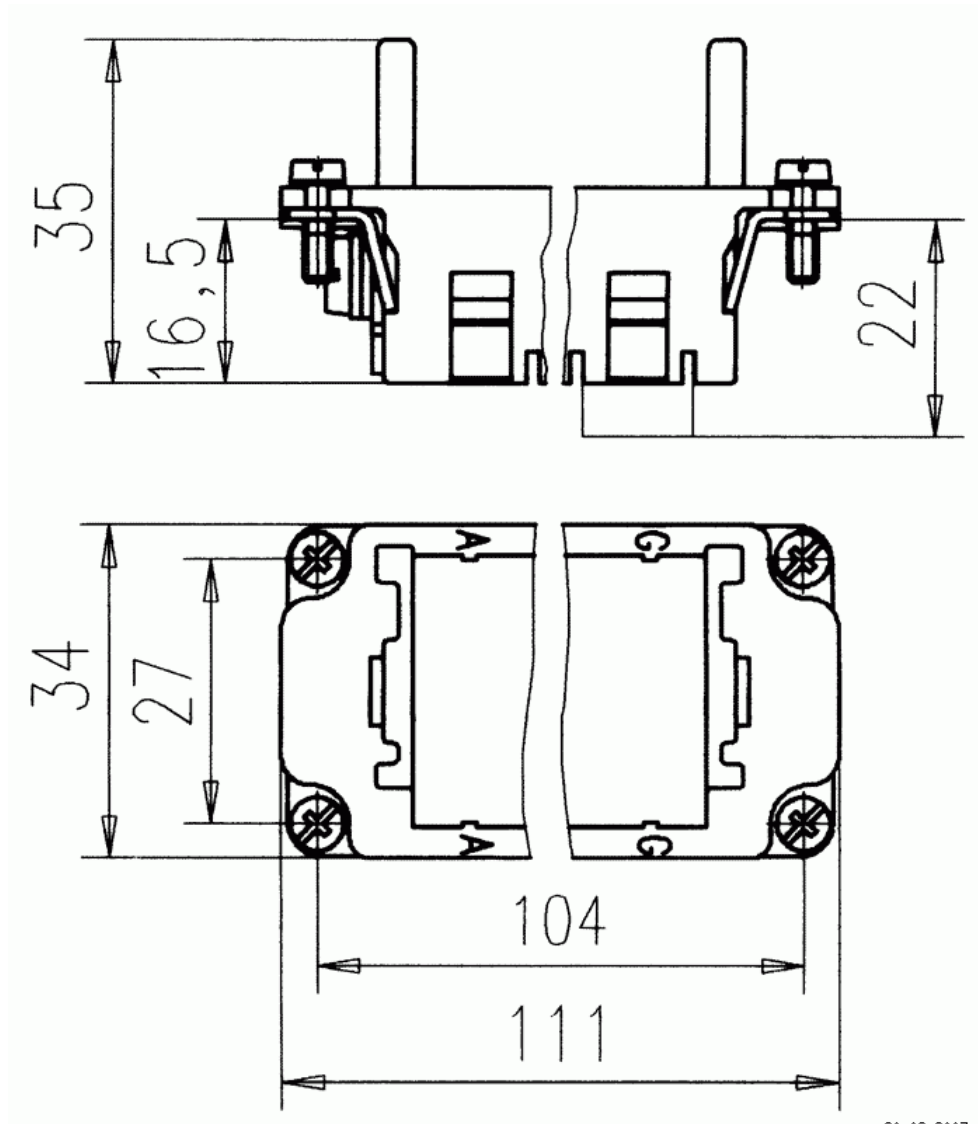
Part No. VN01 016 0027 1C

Series Contacts

Subseries Contact Turned contacts



15.11.2012



Drawing Dimensions in mm (Inch)

20.09.2007