




# AK5154

PC1525

**CABLE REQUIREMENTS:**

**Colour:** BLACK  
**Type:** 3 Core 1.00mm<sup>2</sup> H05VV-F (European Approved)  
**Conductor Colour Codes:**  
 Earth (Green & Yellow)   
 Neutral (Blue)   
 Live (Brown) 

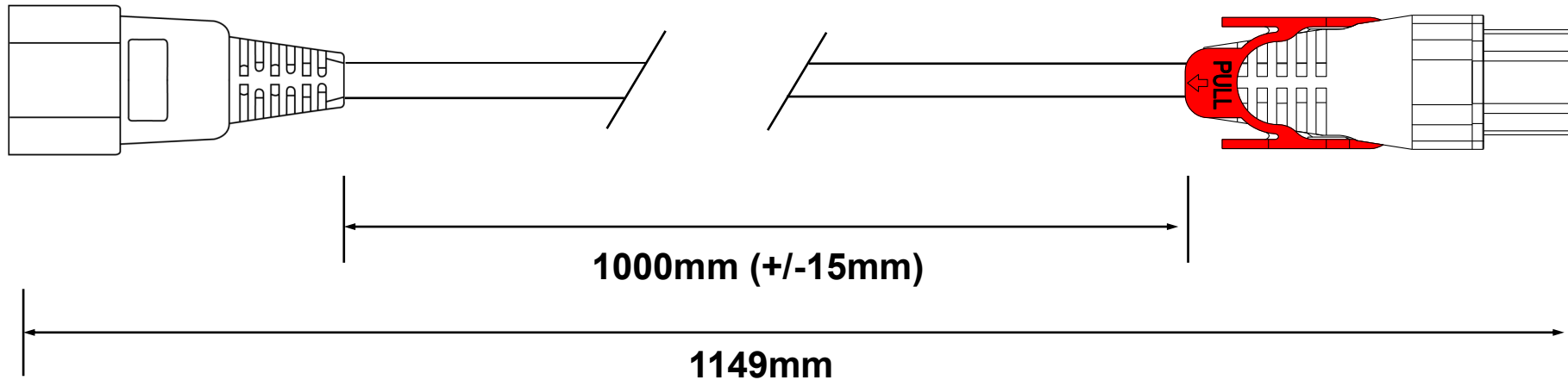
**Complete Powerlead Rated:** 10A/250V

**PLUG / END A REQUIREMENTS:**

**Type:** SW906  
**Colour:** BLACK  
**Rating:** 10A  
**Reference:** C14 Connector (European Approved)

**CONNECTOR / END B REQUIREMENTS:**

**Type:** SW934  
**Colour:** BLACK  
**Rating:** 10A  
**Reference:** C13 IEC Lock+ Connector (European Approved)



**EXTRA REQUIREMENTS:**

PACKAGING OUTER .....TBC  
 PIN PROTECTING COVER .....NO  
 WIRING INSTRUCTIONS .....NO  
 PRE-SHIPMENT INSPECTION REQUIRED....NO

**COMMENTS:**

**CHANGE MANAGEMENT:**

**HANKING**

**Loose**

**TERMINATIONS / FURTHER COMMENTS:**