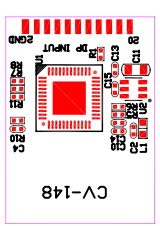
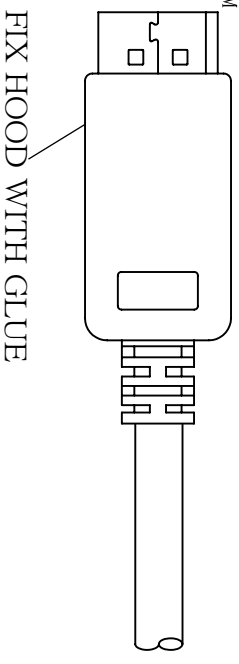


CONN1: DisplayPort 20P M

CONN2: HDMI-19F



Change according to the order

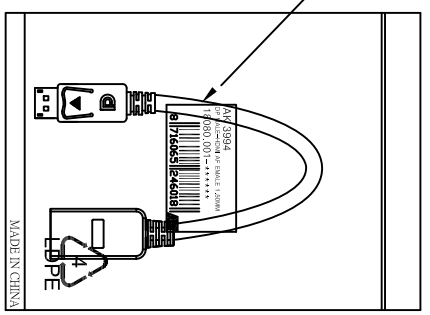
NOTE:

1. CABLE: UI.20276I32AWG*1P+EAMJ*5+32AWG*5C+AEB OD=4.8mm BLACK COLOR,PVC JACKET.
2. LENGTH:1.50mm
3. CONNECTOR: DISPLAYPORT 20P(NICKET PLATED)-HDMI 19F(GOLD PLATED BLACK INSULATOR)
4. MOLD: 45P BLACK MOLDING
5. CONTACTS:

DISPLAY PORT20M	1	3	2	4	6	5	7	9	8	10	12	11	13	14	15	17	16	18	19	20	64
HDMI19F	1	3	5	4	6	2	7	9	8	10	12	11	13	14	15	17	16	18	19	20	64
	TP		GND	TP		GND	TP		GND	TP		GND	TP		GND	TP		GND	BRAID		

6. OPEN/SHORT TEST:100% TEST.
- INSULATION: 5M.
7. ROHS COMPLAINT.

IPCS/PE BAG+STCKER



Company	I.B.V		Goods Code	Draw	WJF	Date	2012.02.06
ITEM NO.	AK3994		Drawing Evidence:	Check		Date	
Goods NO.				Approval		Date	
Original NO.	Unit(mm)					Date	
VER. A	REVISE					Date	
E	change contacts to 8+8, 11+11					2012.06.29	
D	FIX HOOD WITH GLUE					12.02.22CHH	
C	change color into BLACK					12.01.31CHH	
B	REVISED, ADDING PACKAGING INFO					10.02.26ZXW	