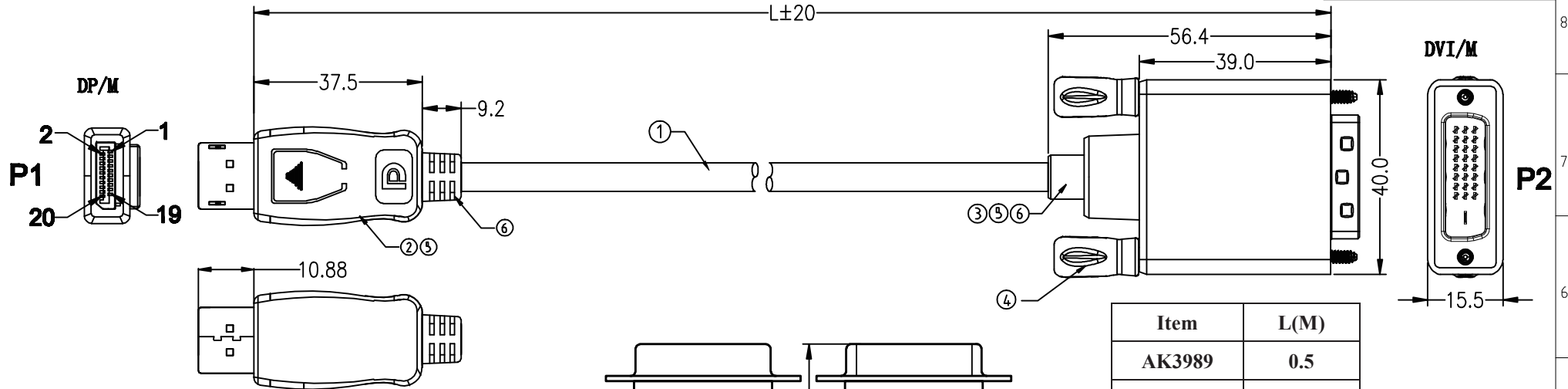
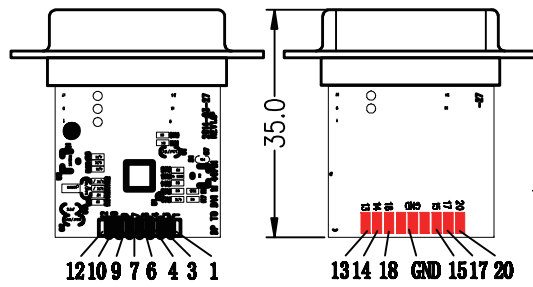


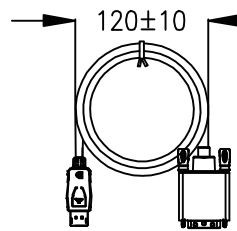
LTR	REV.	DESCRIPTION	DATE	APP'D						RoHS-COMPLIANT
-----	------	-------------	------	-------	--	--	--	--	--	----------------



SHELL	SHIELDING	SHELL
2	DRAIN	GND
1	WHITE	1
3	RED	3
5	DRAIN	GND
4	WHITE	4
6	GREEN	6
8	DRAIN	GND
7	WHITE	7
9	BLUE	9
19	GREEN	GND
18	PURPLE	18
13	YELLOW	13
14	WHITE	14
11	DRAIN	GND
10	WHITE	10
12	BLACK	12
16	DRAIN	GND
15	WHITE	15
17	BROWN	17
20	RED	20



Item	L(M)
AK3989	0.5
AK3993	1.0
AK3995	1.8



- ELECTRICAL TEST:**
- 100% OPEN SHORT MIS WIRE TEST
 - CONTACT RESISTANCE: 3 OHM MAX
 - INSULATION RESISTANCE: 10M OHM MIN
 - HI-POT TEST: DC 300V/10ms
 - Displayport version: 1.1v
 - Max Resolution: 1920*1080P@60HZ

NO.	NAME	SPEC	Q'TY	REMARK
6	MOLD	BLACK 45P PVC		A/R
5	MOLD	LDPE, NATURAL COLOR		A/R
4	SCREW	SCREW LENGTH4*60mm (DVI)NICKEL PLATED STEEL BLACK PVC MOLDING	2	
3	PLUG	DVI-D (24+1) /M, PIN G/F, BLACK PVC CORE, SHELL G/F, PCB'A (PS8121E)	1	
2	PLUG	DP/M, PIN G/F, BLACK PVC CORE, SHELL G/F, BLACK PVC SHELL	1	
1	CABLE	UL20276 #32*5P+#32*5C+AEB JACKET:BLACK PVC OD:5.0 L=500/1000/1500/2000mm	1	



ITEM:	Tol.		UNIT	mm	DRAWING:	REMARK
	Inch	mm				
DP M TO DVI M BLACK CABLE	X.	.02	0.5	ANGLE	±'	CHECK 1:
	X.X	.12	0.3	SCALE	NONE	CHECK 2:
	X.XX	.008	0.2	FONT	NONE	CHECK 3:
C.T					DATE	2015-09-23
					VER.	A PAGE 1/1

