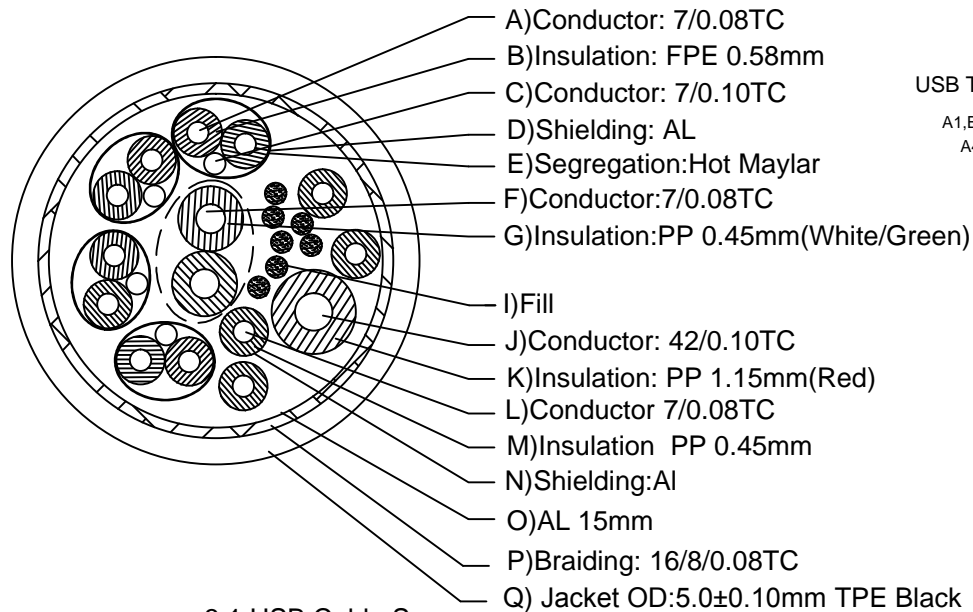
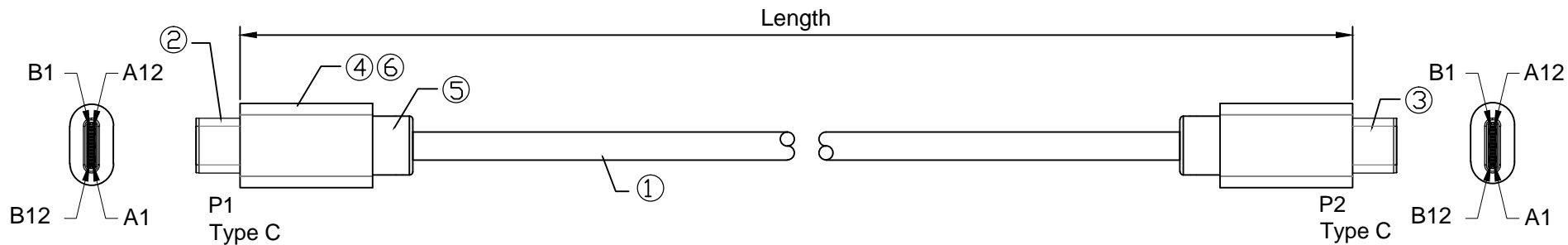


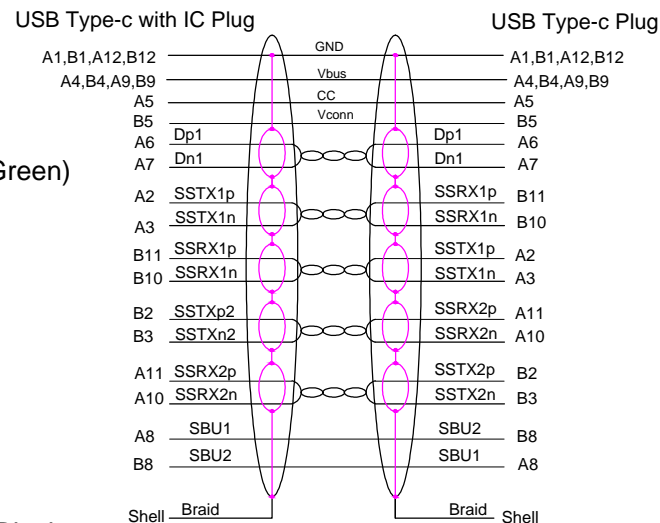
REV.	REVISED DESCRIPTION	DATE	CHECKED
A0	FIRST RELEASE	2021/11/19	



3.1 USB Cable Spec.

- A) Conductor: 7/0.08TC
- B) Insulation: FPE 0.58mm
- C) Conductor: 7/0.10TC
- D) Shielding: AL
- E) Segregation: Hot Mylar
- F) Conductor: 7/0.08TC
- G) Insulation: PP 0.45mm (White/Green)
- I) Fill
- J) Conductor: 42/0.10TC
- K) Insulation: PP 1.15mm (Red)
- L) Conductor 7/0.08TC
- M) Insulation PP 0.45mm
- N) Shielding: AL
- O) AL 15mm
- P) Braiding: 16/8/0.08TC
- Q) Jacket OD: 5.0±0.10mm TPE Black

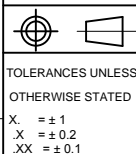
CONNECTION



- Remark:
1. 100% Open/Short Test
 2. Conductive Resistance: 20ohms MAX
 3. Insulation Resistance: 5M ohm MIN.
 4. The product is Reach/RoHS compliant.
 5. With Emark Chipset to support 10G
 6. Support 3.1 Gen2 (20V/5A 100W)

Item No.	Length(m)
SB0028	1.0m
EW9648	1.0m
AC7365	1.0m

ITEM	DESCRIPTIONS & SPECIFICATIONS	QTY	REMARK
⑥	Shell ABS Shell, Black	2PCS	
⑤	External Mold Outer Mould 45P PVC, Black	2PCS	
④	Inernal Mold Inner Mould PE	2PCS	
③	Connector USB Type C, PCBA(W/Capacitor, Resistor)	1PC	
②	Connector USB Type C, PCBA(W/E-Marker, Capacitor, Resistor)	1PC	
①	Cable [[7/0.08TC+0.58TPEE]*1P+D(7/0.10TC)+AL+Mylar]*4P + [7/0.08TC+0.45PP(White/Green)]*1P + [42/0.10TC +1.15PP(Red)]*1C+(7/0.08TC+0.45PP)*4P +filler+AL+16/8/0.08TC+TPE OD5.0mm Black		



ERP NO.:		SAMPLE DWG NO.:	
DOC No.:		REVISION	A0
CUSTOMER:		UNIT	mm
CUSTOMER P/N:		SCALE	NO
DESCRIPTION	USB 3.1 GEN2 Type C male to Type C male	PAGE NO	1/1
		DATE	2021/11/19
APPROVAL		CHECKED	
		DRAWN	