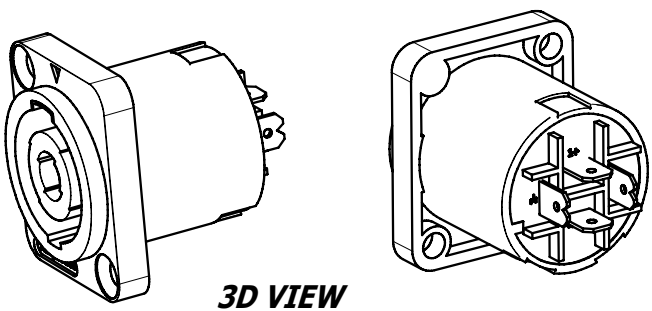
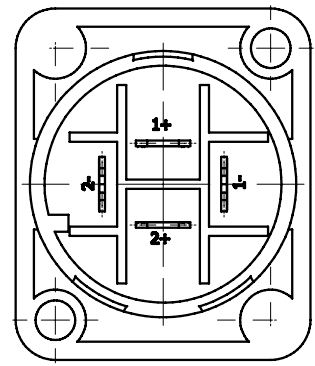
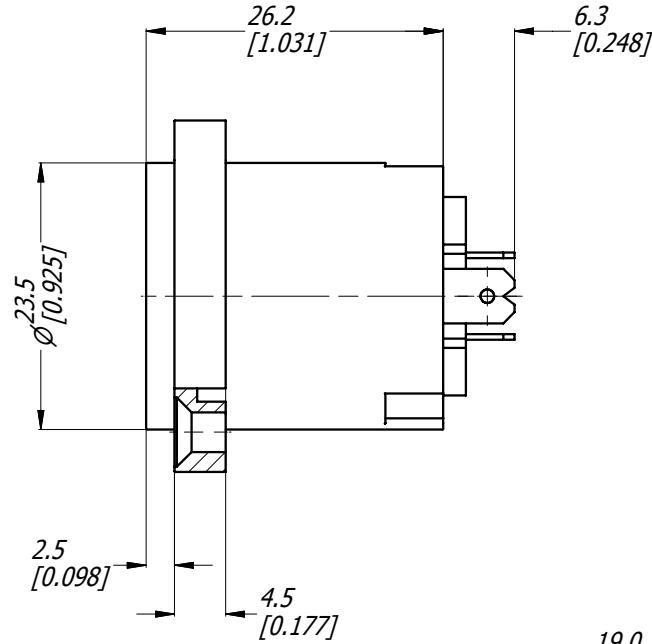
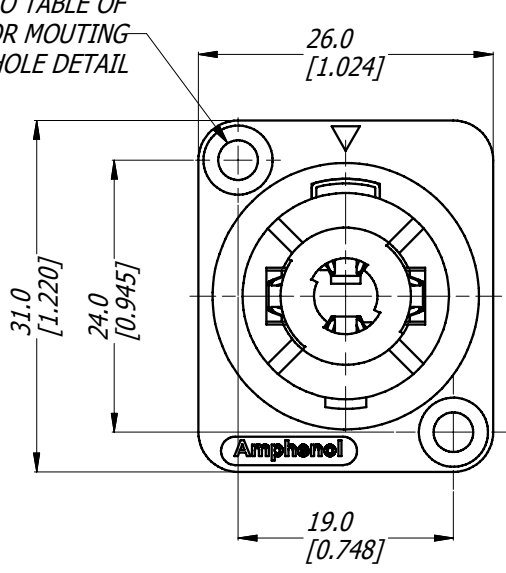


LEGEND  = KEY PRODUCT CHARACTERISTICS

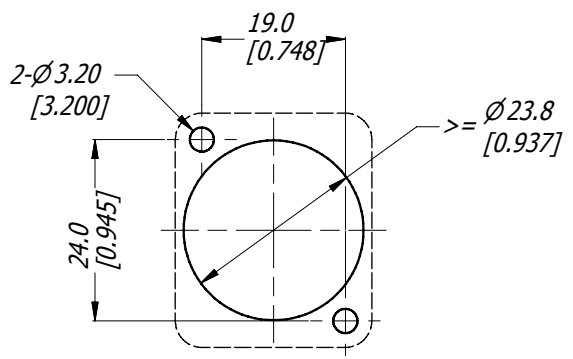
REVISION HISTORY

REV	DESCRIPTION	BY	DATE	ECN
0	FIRST ISSUE	HH	14/02/11	8990

REFER TO TABLE OF PART No FOR MOUTING HOLE DETAIL



3D VIEW



PANEL CUTOUT (1:1)



TABLE OF PART No.

PART No	MOUTING HOLE (mm)	SHELL COLOR
SP-4-MD	Ø3.5 THRU HOLES	BLACK
SP-4-MD-8	Ø3.5 TRHU HOLES	GREY
SP-4-MDT	Ø2.3 SELF TAPPING HOLES	BLACK

UNLESS OTHERWISE SPECIFIED TOLERANCE TO BE	
LINEAR	ANGULAR
X ± 0.5	X' ± 1
X.X ± 0.1	X.X' ± 30'
X.XX ± 0.05	X.XX" ± 15'
BREAK ALL SHARP EDGES AND REMOVE ALL BURRS	
DO NOT SCALE	

THIS DOCUMENT IS THE PROPERTY OF AMPHENOL AUSTRALIA PTY. LTD. NO PART THEREOF MAY BE REPRODUCED AND USED WITHOUT THE PRIOR WRITTEN CONSENT OF THE OWNER

MATERIAL: **REFER TO COMPONENTS**

DRN: HH DATE: 10/02/11
 CKD: TN DATE: 14/02/11
 APP'D: PM DATE: 14/02/11

FINISH:

SCALE: **3:2** SIZE: **A4**

Amphenol Amphenol Australia Pty.Ltd, 2 Fiveways Blvd, Keysborough, VIC 3173

TITLE: **SP SERIES CONNECTOR LOUDSPEAKER 4 POLE, SOLDER**

PART No. **REFER TO TABLE**

DRAWING No. **55010738-000-2** SHEET **2/2**

CAD FILE: 55010738000210

DIMENSIONS IN MILLIMETRES 