

AdScape-HDMI & AdScape-DP 4K Expanders

4K Expanders for VuScape Video Wall Controller

AdScape-HDMI and AdScape-DP are expansion boxes for the VuScape video wall controllers to expand a 4k output image to four 1080p displays. AdScape is ideal for large video walls and can be mounted behind the display wall to reduce cabling costs. Multiple boxes can be connected to a single 24 4k output VuScape controller to expand the number of outputs to 96 1080p displays.



AdScape 4K Expander

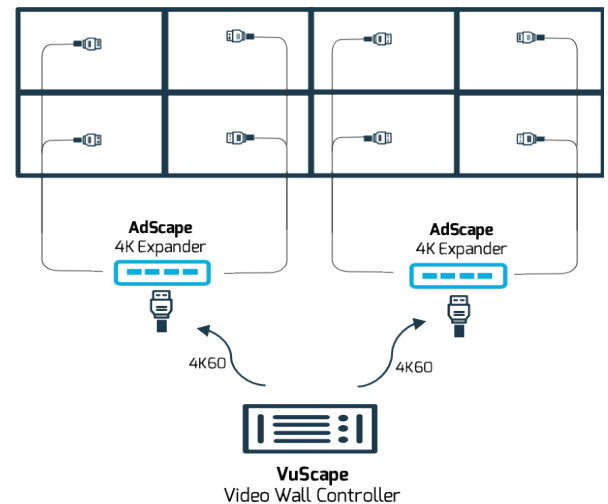
Plug and play with default output arrangement of 2x2 set for the most common scenarios. Output arrangement can be set from the front panel to additional simple arrangements: 2x1, 1x2, 2x2, 3x1, 1x3, 4x1, 1x4 in both portrait and landscape. Manage multiple Adscape units over the network with the AdScape Configurator software to customize output arrangements in mixed resolutions and bezel management.

Features

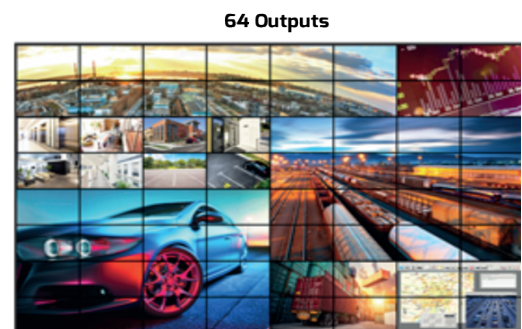
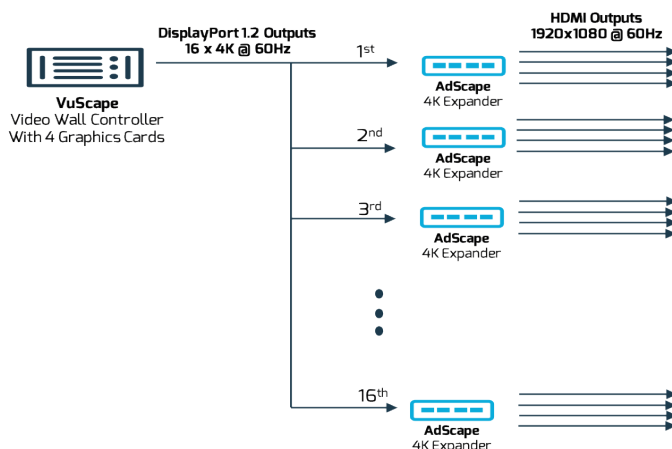
- Ultra-fast scaling process with latency at a fraction of a frame
- 4k60 capable
- HDCP supported
- Flexible with customizable output arrangements and resolutions
- Output rotation supported in 90 degree steps
- Bezel compensation and overlap
- Embedded audio pass through
- Front panel button for easy set up

Example Scenarios

- Expand a VS10 output to 4 1080p video wall displays
- Expand a 16 4k output VuScape to 64 1080p video wall displays
- Expand a 24 4k output VuScape to 96 1080p video wall displays



Example Diagram: Expanding a VuScape with 16 4k outputs to 64x 1080p video wall displays



AdScape Technical Specifications

Model	AdScape-HDMI	AdScape-DP
Input	HDMI	DisplayPort 1.2
Max Input Resolutions	3840x2160 @60Hz, 3840x2160 @30Hz, 7680x1080 @60Hz, 7680x1080 @30Hz, 1920x4320 @60Hz, 1920x4320 @30Hz Contact VuWall for custom resolutions	
Input Color Space	RGB: 24 bits per pixels YUV: 4:4:4, 4:2:2 (8 bits per component)	
Outputs	4 x HDMI	
Max Output Resolutions	1920x1080 @60Hz, 1920x1080 @30Hz, 1920x1200 @60Hz, 1920x1200 @30Hz	
Output Color Space	RGB: 24 bits per pixels	
Output Rotation	0, 90, 180 & 270 degrees	
HDCP Support	Yes	
Audio Pass-Through to Select Outputs	AAC, PCM, Stereo, and Mono 44.1KHz and 48KHz 16-bit stereo	
Preconfigured Simple Arrangements	2x1, 1x2, 2x2, 3x1, 1x3, 4x1, 1x4 in both portrait and landscape	