

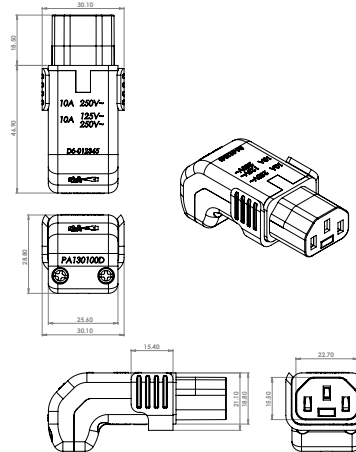


ACT

Technical Datasheet

Product Code: SFO67A PA130100DBK

Description: Down (& Up) Angled Rewireable IEC Lock+ Low Smoke Zero Halogen Appliance Connector (Black)



General Information

Rating	10A Max / 250V~ (Europe & Australia) 15A Max / 250V~ (USA) 125V~ / 250V~ (Japan)
Materials	Outer Body & Chassis: Nylon (PA66) LSZH (RAL 9004 Signal Black) Cable Restraint: Nylon (PA66) Housing Screws & Cable Restraint Screws: Steel, Nickel Plated Lock Pivot Lever: Polycarbonate Terminal Block & Sliding Terminal: Brass Terminal Screws: Steel, Yellow Passivated Spring: Spring Steel Locking Blade: Spring Steel Zinc Plated Red Handle: Polycarbonate LSZH (RAL 3020 Traffic Light Red)
Terminal Capacity	3 Core 1.5mm ² Maximum, ø2.5mm Terminal Diameter
Torque Value Terminal Screws	0.4Nm, Strain Relief Clamping Screws; 0.3Nm
Dielectric Strength	1.5 kV Max
Withdrawal Force	> 100N
Ambient Operating Temperature	25°C
Flammability Rating	Equivalent to UL94V-0
Protection Class	Suitable for appliances with protection Class I according to IEC EN 61140
Features	Rewireable Housing can be 'flipped' to become an Up Angled Connector Fits any standard C14 outlet Anti-Vibrate Integral plug retention feature Easy pull handle Slotted and Cross head housing screws Appliance inlet suitable for cold conditions

Standards	BS EN 60320-1: 2015 (KEMA-KEUR File: 35-102059) BS EN 60320-3: 2014 UL 60320-1 (UL File E475619) UL 60320-3 CSA C22.2 60320-1-11 (UL File E475619) CSA C22.2 60320-3 (UL File E475619)
------------------	---

