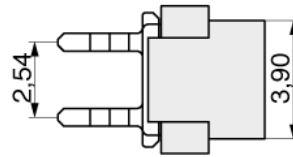
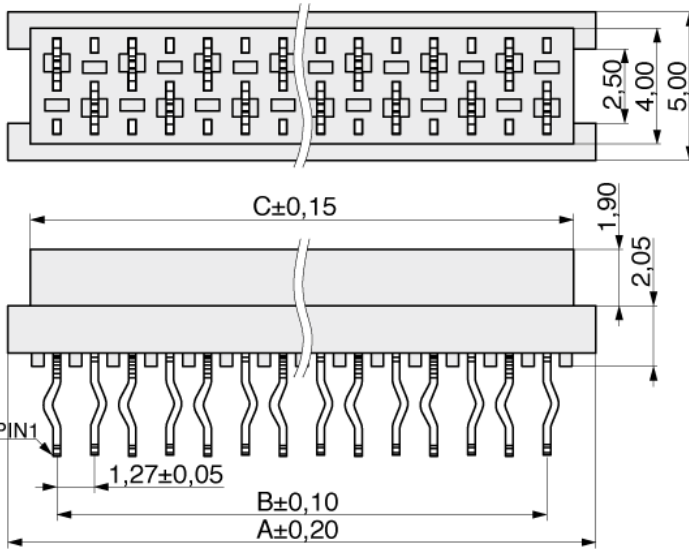


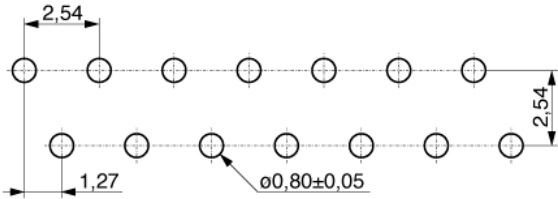
Pitch (mm)	1,27
Mating pin size (range)	? 0,40x0,68
No of contacts	4
Polarising	Yes
Locking	No
Material contact	Phosphor bronze
Plating contact	Sn
Material insulator	High temp. thermoplast UL94V-0
Rated current	1,5 A
Rated voltage	230 V _{RMS} / V _{DC}
Withstand voltage	500 V _{RMS} for 1 minute
Operating temperature	-40°C to +105°C
Max. processing temper.	260°C for 10 seconds
Packaging	Tube
A	7,00
B	3,81
C	5,60

High density female connector with a contact spacing of 1,27 mm. These parts are compatible with industries standard products.

Straight (vertical) version.



Footprint:



Date: 18.04.2011

Order code: 369-1-004-0-NTX-KT0



MPE Garry GmbH
Schäfflerstraße 13
87629 Füssen/Germany

Phone: +49 (0) 83 62 / 91 56-0
Fax: +49 (0) 83 62 / 91 56-500
Email: vk@mpe-connector.de

Internet: http://www.mpe-connector.de/index.php?lang=en&menu=4&s_product=369-1-004-0-NTX-KT0