

Display of up to four Single-Head video signals on one monitor



4K60 KVM Switch (4:1)

Single- and Dual-Head version

DisplayPort1.2 and HDMI2.0 version

Multiviewer with picture-in-picture function

Multi-screen control

SNMP V3 Monitoring

PRODUCT INFORMATION

The Draco MultiView 4K₆₀ typically allows visualization scenarios common in air traffic control and control room applications, including 4:1 Single-Head, and 4:2 Single-Head.

The individual screens can be arranged freely and displayed in different modes, for example FullScreen, QuadSplit or picture-in-picture (PiP). Presets allow instant switching between the desired layouts.

Easy Switching

Real-time switching between the video sources is done by keyboard commands. External control options are possible via API or the GPIO interface.

Don't miss any audio alerts

The embedded audio signals can be output to a loudspeaker via a separate audio interface. Either the audio track of the currently active screen can be output or the various audio signals can be combined (summed) so that relevant

signal tones can be heard at any time, regardless of the source.

Fail-safe and space-saving

The Draco MultiView 4K₆₀ has redundant power and extensive SNMP options for status monitoring (video, PSU and switching status).

The Draco MultiView 4K₆₀ seamlessly integrates with Draco vario extenders and Draco tera matrices.

PRODUCT FEATURES

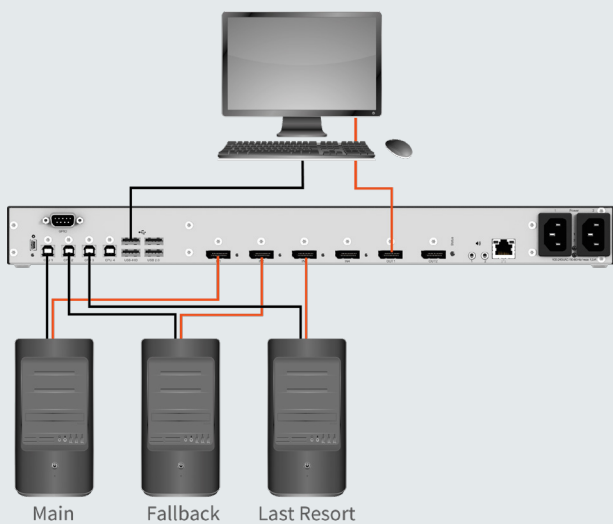
- > Integrated Single-Head and Dual-Head switch for 4K60 DisplayPort or HDMI video signals and USB
- > Facilitates the monitoring of numerous video signals at a glance
- > Reduce cost and effort by displaying on a single large monitor
- > Based on 1U BODY6 chassis with redundant power supply for Single-Head and Dual-Head
- > GPIO for control via pushbutton
- > PiP modes
- > Scaling function
- > Switching via keyboard, API and GPIO
- > SNMP Monitoring (Video Status, PSU Status, Switching Status)

Display of up to four Single-Head video signals on one monitor

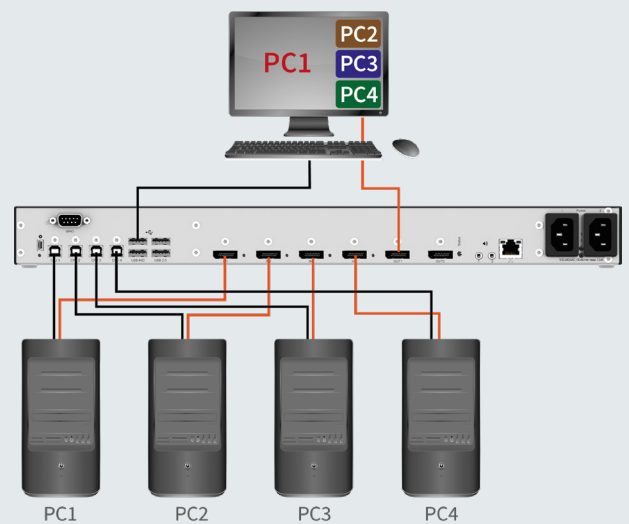
TECHNICAL DATA		
	Single-Head	Dual-Head
Input	Up to 4x DP1.2 or HDMI2.0 @ up to 4K60, USB	Up to 8x DP1.2 DH or HDMI2.0 DH @ up to 4K60, USB
Output	Up to 2x DP1.2 or HDMI2.0 @ 4K60, 2x USB-HID and 2x USB 2.0	Up to 4x DP1.2 or HDMI2.0 @ 4K60, 2x USB-HID and 2x USB 2.0
Audio	Synchronized switching, mixed audio, de-embedding digital / analog	
Order Numbers		
DisplayPort1.2	MV42-DPSH	MV42-DPDH
HDMI2.0	MV42-H2SH	MV42-H2DH

FUNCTIONAL DIAGRAM

Single-Head



MultiView 4:1



Dual-Head

