

Overview

Bandwidth: 500MHz
 OD: 6.5mm
 Conductor: 26AWG
 Approvals: RoHS
 Connector: 50U" gold plated RJ45 connector

Physical Characteristics

- Cable Type – Cat6A U/FTP
- Connector Type(s) – RJ45
- Wiring Scheme –T568B
- Temperature Rating – -20°C to +75°C
- Voltage Rating – 30V
- Minimum Bending Radius: 26MM
- Maximum PoE Support: PoE+

Conductor (Qty. 4 twisted pair)

- Conductor Type – 26AWG, Stranded Bare Copper
- Insulation – FOPE
- Diameter – 1.04±0.05mm
- Pair Identification:
 - Pair1=Orange, Orange-White
 - Pair2=Blue, Blue-White
 - Pair3=Green, Green-White
 - Pair4=Brown, Brown-White

Connector Type (Qty. 2)

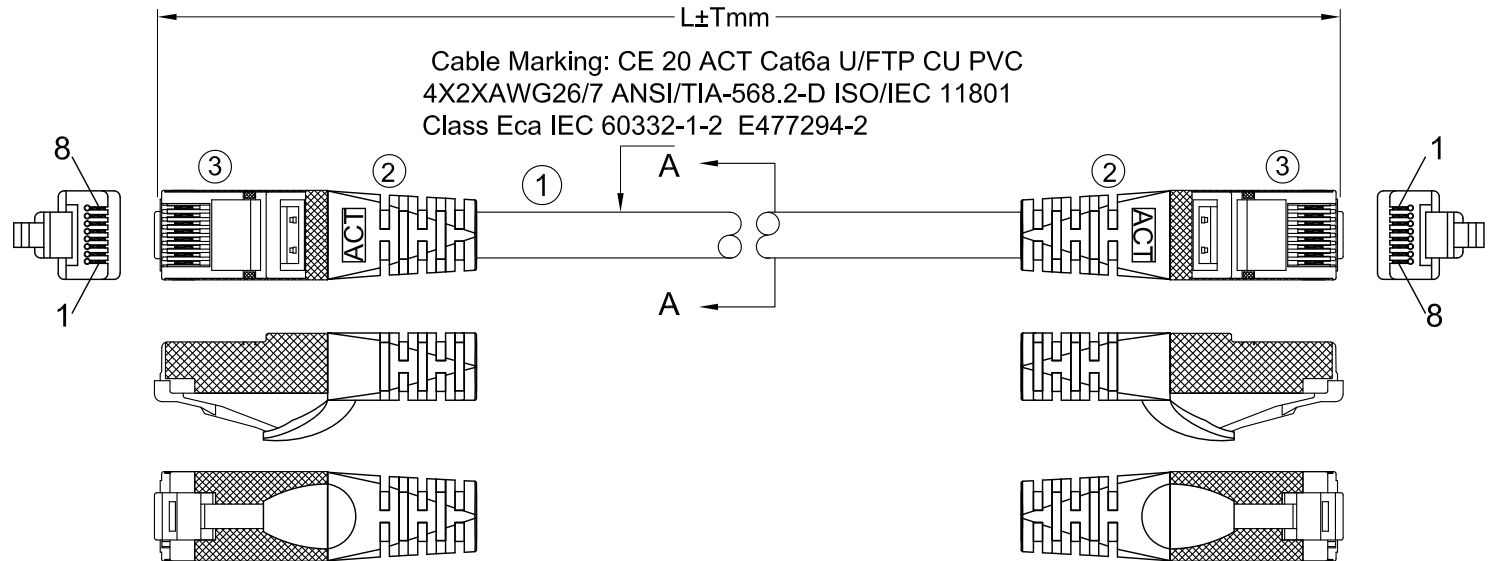
- Connector Type – Shielded 8P8C (RJ45)
- Gender – Male
- Connector Material –TRANSPARENT RED PC
- Contact Material – Copper Alloy, 50U" Gold Plating
- Hood Material – MOLDED PVC

Overall Cable

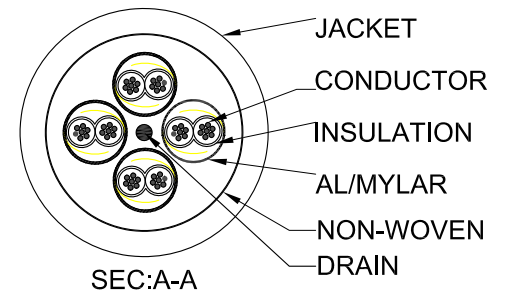
- Jacket – High Elasticity PVC
- Minimum Average Thickness – 0.80mm
- Outer Diameter – 6.5 ± 0.20mm

Electrical Characteristics

- Conductor DC Resistance – 15.2Ω/100m (maximum)
- Impedance – 100Ω
- Capacitance – 5600pf/100m
- Propagation Delay – 545ns/100m (maximum)
- Delay Skew – 45ns/100m (maximum)



P1	P2	T568B
1 ——— 1	WHITE/ORANGE	
2 ——— 2	ORANGE	
3 ——— 3	WHITE/GREEN	
4 ——— 4	BLUE	
5 ——— 5	WHITE/BLUE	
6 ——— 6	GREEN	
7 ——— 7	WHITE/BROWN	
8 ——— 8	BROWN	
S ——— S	SHIELDED	



3	RJ45 PLUG: 8P8C 50U" GOLD PLATED TRANSPARENT RED TWO-PIECE PLUG; SHIELDED NICKEL PLATING.	
2	MOLDED: PVC MOLDED BOOT .	
1	CABLE: CAT6A U/FTP[26AWG+AL/MYLAY]*4+D(7/0.12TC) OD:Ø6.5±0.2MM HIGH ELASTICITY PVC JACKET.	
NO.	SPECIFICATION	Q'TY
BOM LIST		

ITEM NO:	Tangle-free High flex Cat.6a U/FTP Patch Cable			DRAWER DATE	LY
TITLE				CHECKED DATE	MTC
CUSTOMER				APPROVED DATE	20200617
MATERIAL	SCALE				
REV.	A	UNIT	MM		
DRAWING NO:	6AS0P650716FB 113--00207101				
ACAD FILE	E:\				

Length	Black	Tolerance
0.5M	FB5000	±15mm
1M	FB5001	±20mm
1.5M	FB5051	±20mm
2M	FB5002	±30mm
3M	FB5003	±30mm
5M	FB5005	±60mm
7M	FB5007	±60mm
10M	FB5010	±80mm
15M	FB5015	±80mm
20M	FB5020	±80mm

ITEM NO:	Tangle-free High flex Cat.6a U/FTP Patch Cable			DRAWER DATE	LY 20200617
TITLE				CHECKED DATE	MTC 20200617
CUSTOMER				APPROVED DATE	
MATERIAL		SCALE			
REV.	A	UNIT	MM		
DRAWING NO:	6AS0P650716FB 113--00207101				
ACAD FILE	E:\				