

1

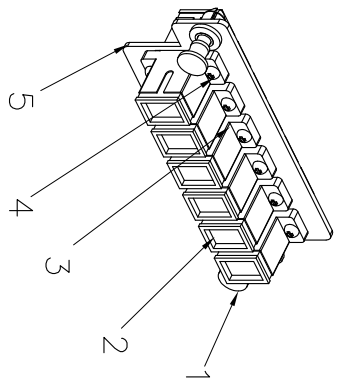
2

3

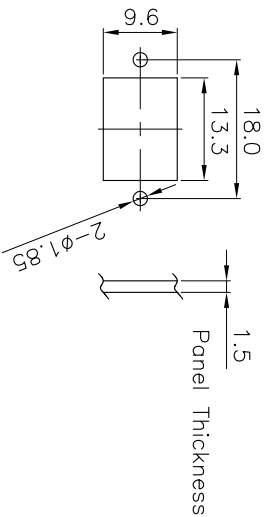
4

5

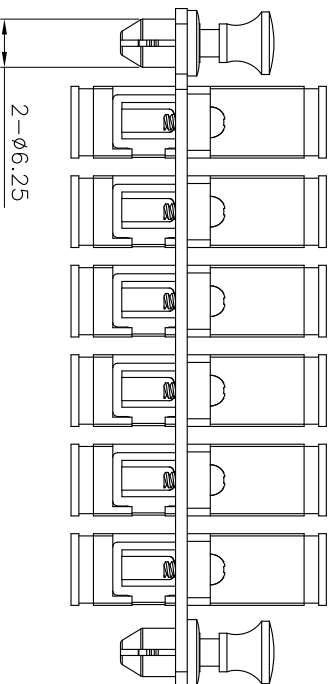
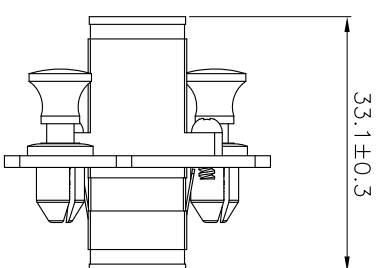
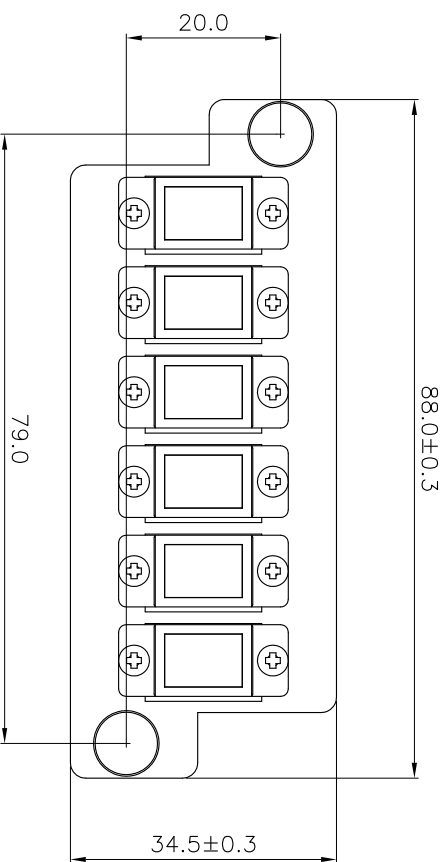
6



SCALE 1/2



SUGGESTSD PANEL CUTOUT



D

Specification :

1. Accessory : 2 pcs, nylon snap rivet.
2. Dust Cap : 12 pcs, PP.
3. Adaptor : 6 pcs, SC to SC, simplex flange, w/ Zr. sleeve, Green.
4. Screw : 12 pcs, M2*6/3.3mm, nickel plated.
5. Panel material : SPCC, 1.5mm thickness.

1

2

0

3

4

5

6

GENERAL TOLERANCE OF DIMENSIONS
 XXXX \pm 0.1
 XXX \pm 0.2
 XX \pm 0.3

HSF Spec.

Rohs

DRAWING	28.NOV.2023	DANIEL
CHECK	28.NOV.2023	DAY
APPROVAL	28.NOV.2023	FRANK

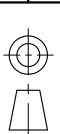
SCALE	1/1 (A4)	UNIT	mm
DATE		NAME	

DES.:	ADAPTERPLATE	6SC	OS2	APC
-------	--------------	-----	-----	-----

ACT

ITEM NO.: FA2160

DRAWING NO.	ADAPTER PLATE	6SC	OS2	APC(SA1)
DRAWING CLASSIFICATION	S	SHEET	1	OF 1



DRAWING CLASSIFICATION	S	SHEET	1	OF 1
------------------------	---	-------	---	------

DES.:	ADAPTERPLATE	6SC	OS2	APC
-------	--------------	-----	-----	-----

DRAWING CLASSIFICATION	S	SHEET	1	OF 1
------------------------	---	-------	---	------

DRAWING CLASSIFICATION	S	SHEET	1	OF 1
------------------------	---	-------	---	------



D

C

B

A