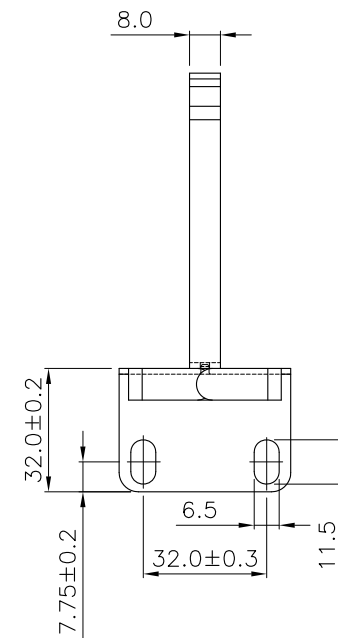
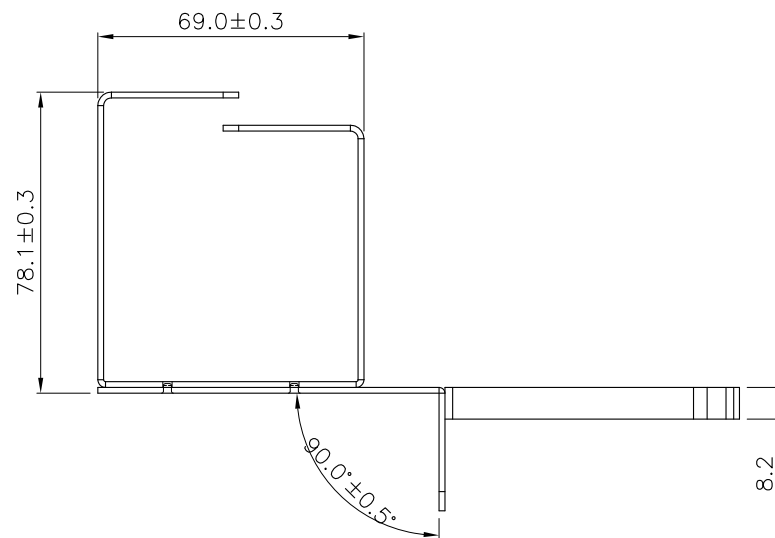
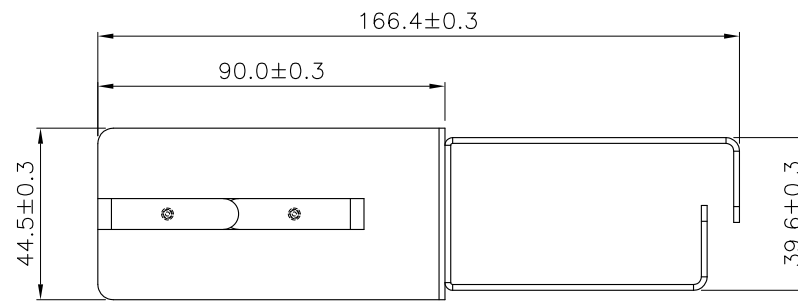



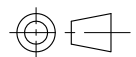

SCALE 1/2



Specification :

Material :

1. Panel : SPCC, 1.5 mm thickness with Blac(RAL 9005) color painted.
2. Cable Holder : SPCC, 1.5 mm thickness with Black(RAL 9005) color painted.

GENERAL TOLERANCE OF DIMENSIONS X.XXX ±0.005 X.XX ±0.05 X.X ±0.1	DRAWING	27.AUG.2010	WYM	
	CHECK	27.AUG.2010	JANE	
	APPROVAL	27.AUG.2010	JAIMY	
	DATE		NAME	ITEM NO.: FA2076
SCALE	1/2 (A4)	UNIT	mm	DES.:SIMPLE CABLE MANAGEMENT W/ METAL HOLDER,EX
		DRAWING NO. FA2076		
		DRAWING CLASSIFICATION	S	