

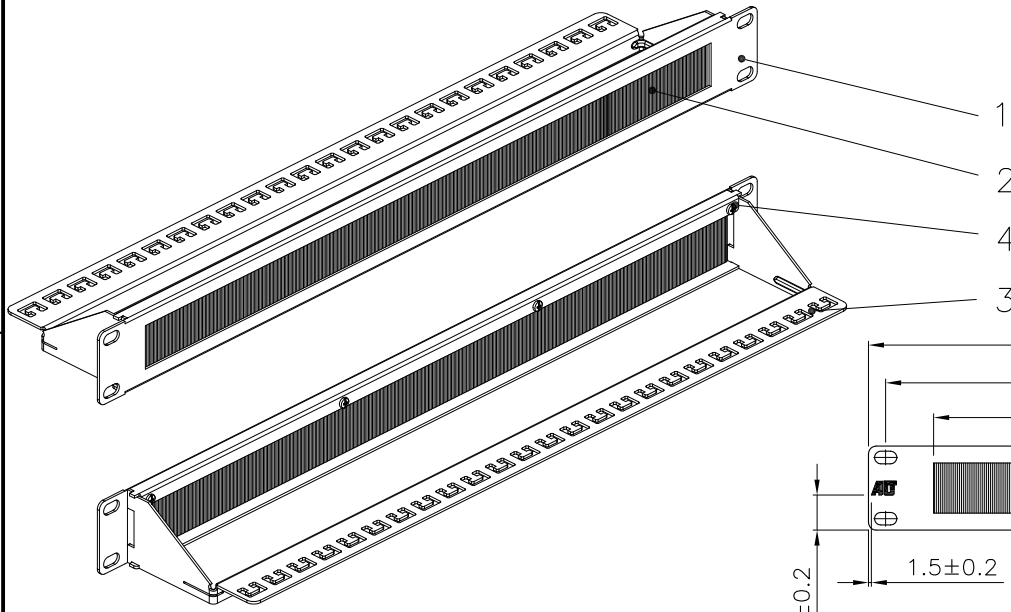
1 2 3 4 5 6

A

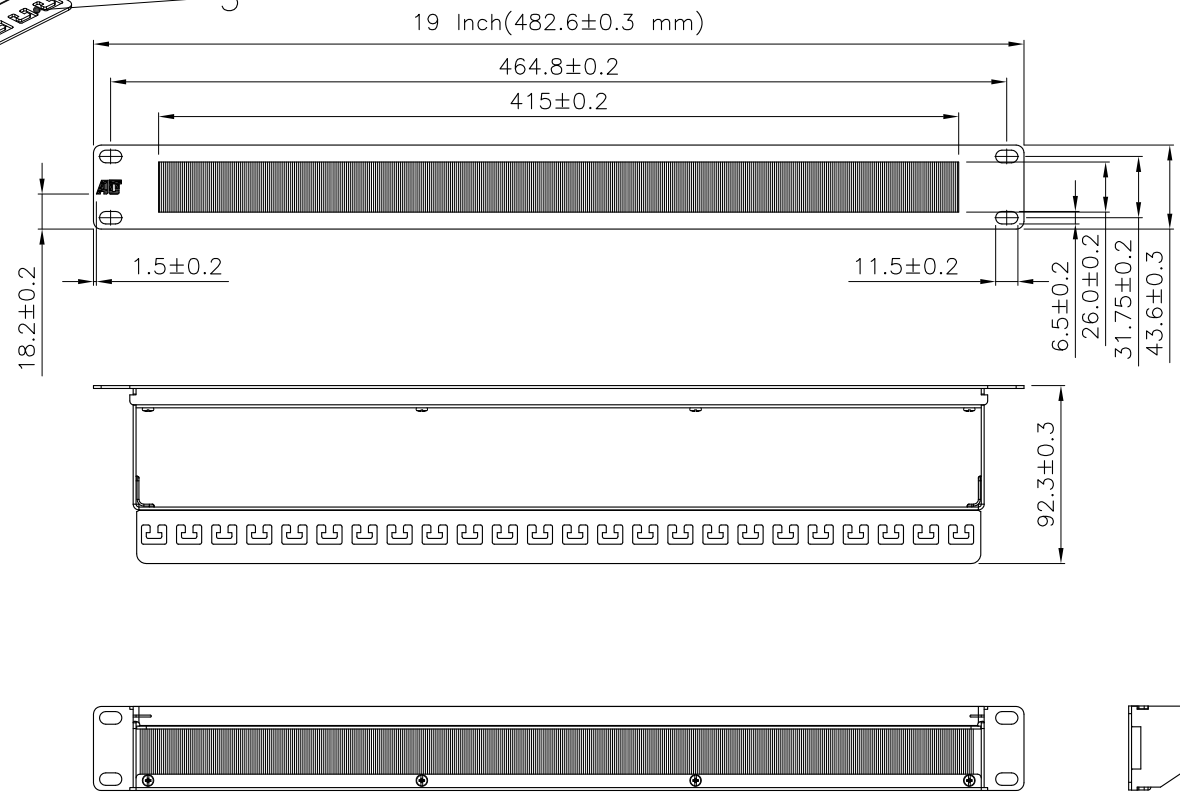
B

C

D



SCALE 1/4



Specification :

- Material :
1. Panel : SPCC, 1.5 mm thickness with Black(RAL 9005) color painted.
  2. Brush : Nylon.
  3. Support Bar : SPCC, 1.5 mm thickness Black(RAL 9005) color painted.
  4. Screw : M2.7\*8.0\*6.0mm.

|   |          |                        |        |           |  |
|---|----------|------------------------|--------|-----------|--|
| GENERAL TOLERANCE OF DIMENSIONS<br>X.XXX ±0.005<br>X.XX ±0.05<br>X.X ±0.1 | DRAWING  | 06.NOV.2018            | WENJUN | <b>AC</b> |  |
|   | CHECK    | 06.NOV.2018            | JANE   |           |  |
|   | APPROVAL | 06.NOV.2018            | FRANK  |           |  |
|   |          |                        | DATE   | NAME      | ITEM NO.: FA2071                             |
| SCALE   |          | 1/4 (A4)               | UNIT   | mm        | DES.: 1U BRUSH PANEL WITH SUPPORT BAR, BLACK |
|   |          | DRAWING NO. FA2071     |        |           |  |
|   |          | DRAWING CLASSIFICATION | S      |           | SHEET  |

1 2 3 4 5 6