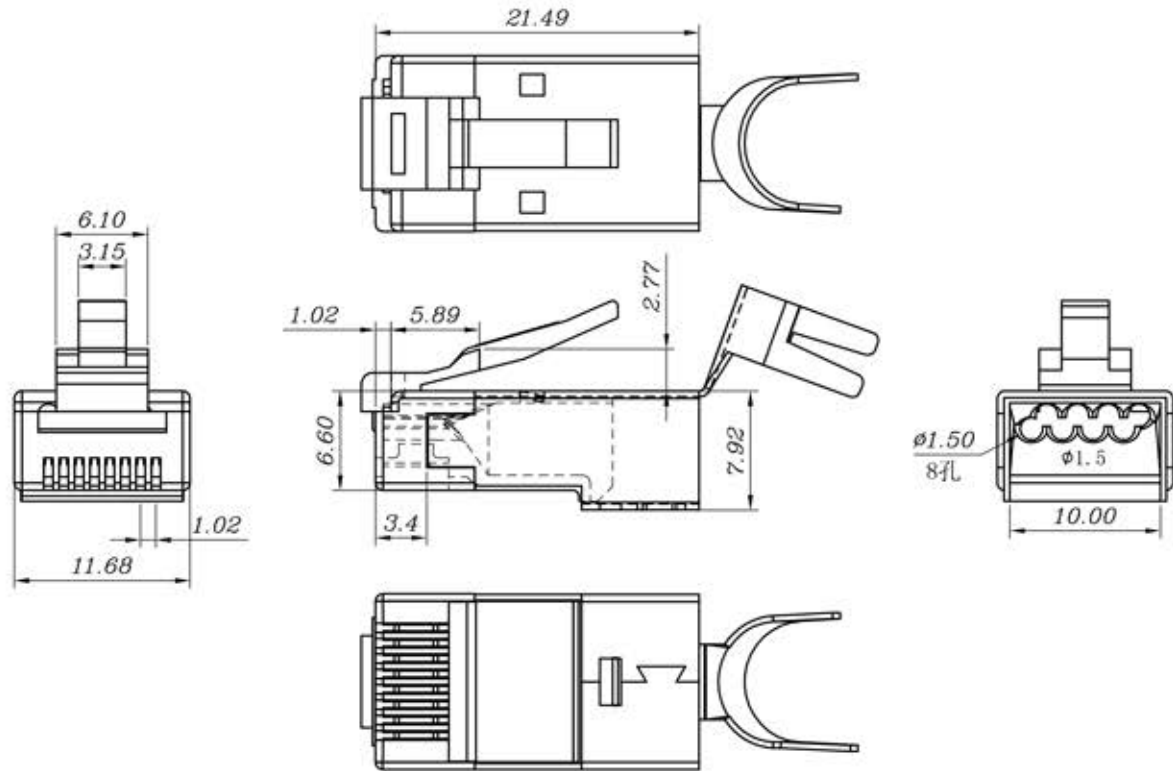


更改 REV	出图日期 DATE	设 变 内 容 MODIFICATION	修 改 DRAWN
B	2011/03/03 2015/01/14		



SPECIFICATIONS

1.ELECTRICAL:

UL APPLICATIONS: 250 VOLTS AC MAX., AT 2 AMPS.
 DIELECTRIC WITHSTANDING VOLTAGE : 1000 VOLTS AC.
 WITHSTAND VOLTAGE TIME: 60S.
 INSULATION RESISTANCE: 100 M Ω.
 TERMINATION: RESISTANCE 20m Ω MAX AFTER ENVIRONMENTAL TESTING.

2.MECHANICAL:

CABLE-TO-PLUG TENSILE STRENGTH : 20POUND MIN.
 DURABILITY : 200 MATING CYCLES.

3.MATERIAL & FINISH:

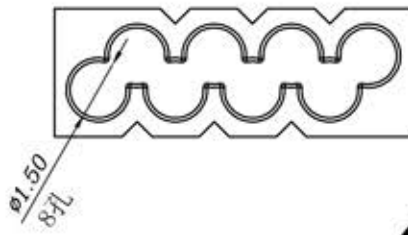
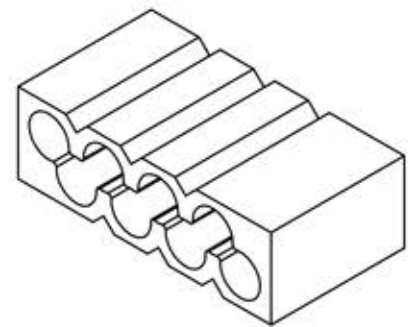
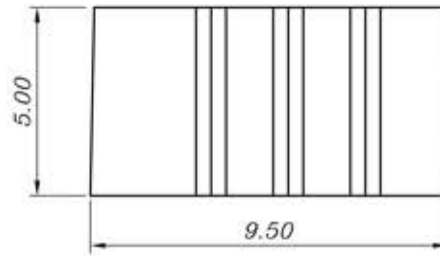
HOUSING: POLYCARBONATE, UL94V-0 OR UL94V-2.
 COLOR : TRANSPARENT OR OTHER COLOR ARE AVAILABLE.
 CONTACT BLADE: COPPER ALLOY.
 CONDUCTOR : STRANDED & SOLID WIRE.
 (It can be used for the wire OD from 0.135-0.145).
 GOLD PLATING: 3u"-50u", ARE AVAILABLE.

BLADE:	Y	YB	Z	AE	AL	ZL			
Drawing									
Mark			✓						
GOLD PLATING	3Mu"	3u"	6u"	15u"	30u"	50u"	CABLE TYPE	ROUND	FLAT
Mark					✓		Mark	✓	



AC		材 质 MATERIAL	图 号 DWG NO.
DIMENSION IN mm (Inch) TOLERANCE UNLESS OTHERWISE SPECIFIED		PC	FA2001
.X±0.20	.X°±5°	名 称 TITLE	
.XX±0.10	.XX°±2°		
审 核 APPROVAL	核 对 CHECKED	制 图 DRAWN	比 例 SCALE 2/1
			张 数 SHEET 1/1
		角 法 PROJ.	更 改 REV B

更改 REV	出图日期 DATE	设 变 内 容 MODIFICATION	修 改 DRAWN
A	2009/11/27		
B	2012/06/27		



Issued
 2016. 02. 18
R&D

AC			
DIMENSION IN mm (Inch) TOLERANCE UNLESS OTHERWISE SPECIFIED		材 质 MATERIAL PC	图 号 DWG. NO. FA2001
.X±0.20	.X*±5°	名 称 TITLE	
.XX±0.10	.XX*±2°		
审 核 APPROVAL	核 对 CHECKED	制 图 DRAWN	比 例 SCALE 5/1
			张 数 SHEET 1/1
		角 法 PROJ. 	更 改 REV C