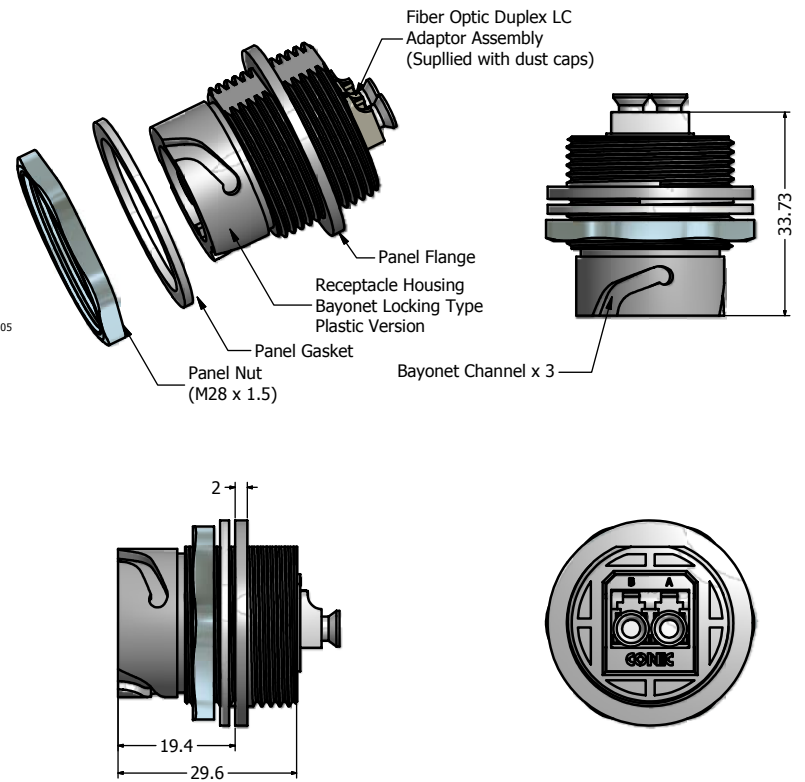
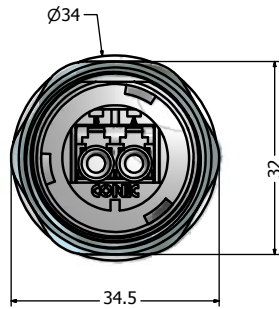
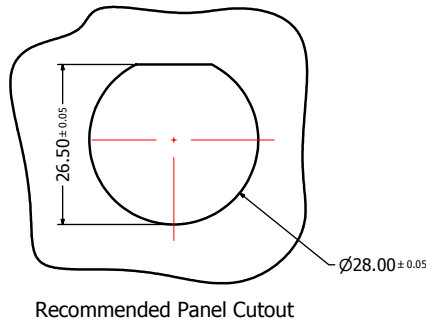


Protective Cover  
Bayonet Locking Style  
Plastic Version



**Notes:**

- Material and Finish:
  - Receptacle Housing, Protective Cover: Polyester (Black); UL94 V-0
  - Panel Nut: Brass, Finish: Nickel Plated
  - Panel Gasket: Silicon, Color: White
  - Cover Gasket: Silicon, Color: White
  - Tether: Polycarbonate, Color: Black

**Duplex LC Adaptor Assembly:**

  - Housing: Mod. PPO , UL94 V-0, Color: **SM Blue/MM Beige/APC SM Green**
  - Alignment Sleeves: SM Ceramic/MM Phosphor Bronze
  - Dust Cap: PP, Color: Neutral transparent
  - Operating Temperature: -40~C to +85~C
- Connector can be front or rear mounted to a maximum panel thickness of 3.2mm.
- IP67 rated when covered or fully mated with the appropriate mating connector
- RoHS compliant

Directive 2002/95/EC RoHS Compliant

Description	Part Number
Duplex LC Single Mode Receptacle Assembly + Cover Assembly	17-300230
Duplex LC Multi Mode Receptacle Assembly + Cover Assembly	17-300240
Duplex LC APC Single Mode Receptacle Assembly + Cover Assembly	17-300250

THIS DRAWING MAY NOT BE COPIED, OR REPRODUCED IN ANY WAY AND MAY NOT BE PASSED ON TO A THIRD PARTY WITHOUT WRITTEN PERMISSION. OWNERSHIP AND COPYRIGHT OF CONEC CORPORATION.	Customer:			Tolerance Unless otherwise specified 0 PLC ±0.30 1 PLC ±0.20 2 PLC ±0.10 3 PLC ±0.05 ANGLES ±1°		Scale: 1.5:1	Dim. in mm
	Name	Title	Approval Date			Material: See Notes	
	2011	Date	Name			Title: IP67 Industrial Duplex LC Receptacle Assembly + Cover Assembly Plastic version	
	Draw.	Mar. 04	Vincent Ke			Drawing No.: 17K1A217	
	Appd.	Mar. 04	J. Chaudry	Part No.: SEE ABOVE TABLE			
	Norm			DIN A3			
	D-old			Sheet 1/1			
a	original						
Rev.	Changes	Date	Name				