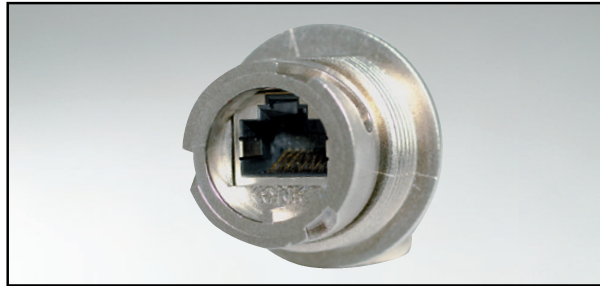


# RJ45 INSTALLATION HOUSING SET

## Inline socket connector version

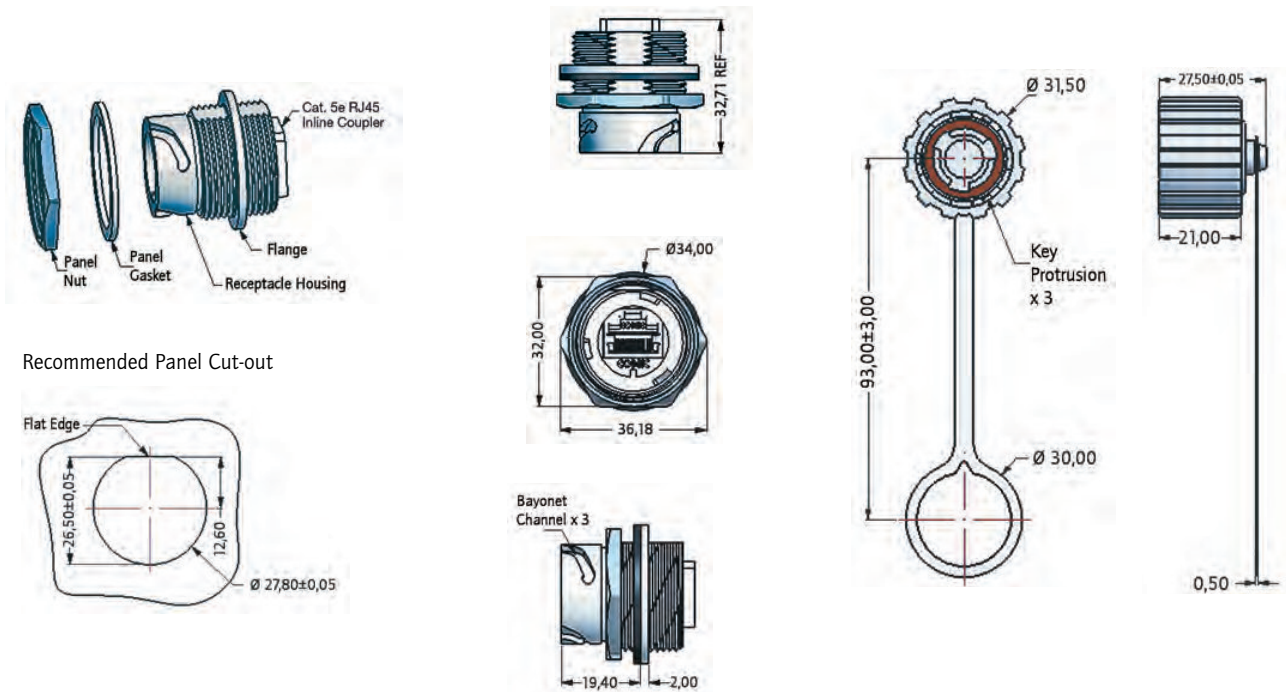


RoHS compliant

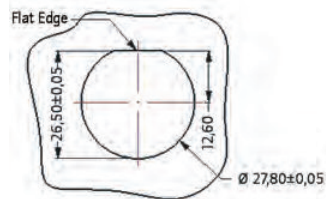
### DESCRIPTION

- For front- or rear panel mounting up to wall thickness of .013"/3.2 mm
- Design: Black plastic or metallized plastic
- Unshielded RJ45 Inline socket connector or shielded RJ45 Inline socket connector Cat.5e
- Available as a set with protection cap

### PRODUCT DRAWING



### Recommended Panel Cut-out



### ORDER DATA

Type	Material	RJ45 Cat.5e design	Protection cap	Part Number
Housing	Black plastic	Inline socket connector shielded		17-10009
Housing	Black plastic	Inline socket connector unshielded		17-10019
Housing	Metallized plastic	Inline socket connector shielded		17-10012
Housing	Black plastic	Inline socket connector shielded	With protection cap	17-10000
Housing	Black plastic	Inline socket connector unshielded	With protection cap	17-10020
Housing	Metallized plastic	Inline socket connector shielded	With protection cap	17-10011