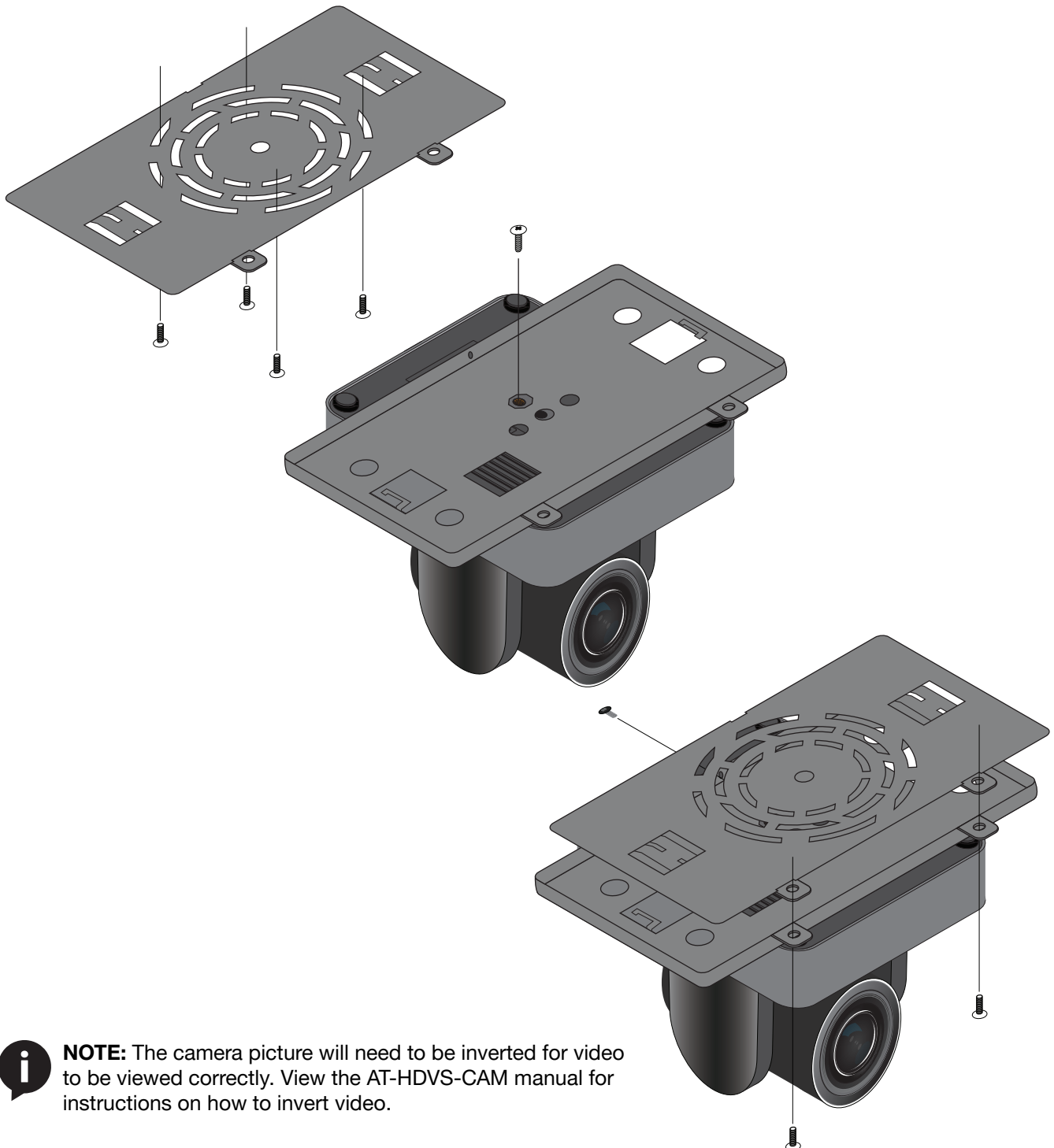


## Ceiling Mount for the PTZ Camera for the HDVS-300 Soft Codec Conferencing System

### AT-HDVS-CAM-CMNT

To install the AT-HDVS-CAM, 4 PA3X30 self-tapping screws, 4 PM3X6 screws, 4 screw stoppers, 1 1/4 20UNC screw, AT-HDVS-CAM-CMNT, and the AT-HDVS-CAM are needed.

- 1 Install the 4 screw stoppers in the ceiling.
- 2 Connect the upper ceiling covering plate to the screw stoppers using the PA3X30 self-tapping screws.
- 3 Connect the lower ceiling covering plate to the bottom of the AT-HDVS-CAM using the 1/4 20UNC screw.
- 4 Mount the lower ceiling covering plate to the upper ceiling plate using 3 PM3X6 bolts.



**NOTE:** The camera picture will need to be inverted for video to be viewed correctly. View the AT-HDVS-CAM manual for instructions on how to invert video.



atlona.com • 408.962.0515 • 877.536.3976

© 2018 Atlona Inc. All rights reserved. "Atlona" and the Atlona logo are registered trademarks of Atlona Inc. All other brand names and trademarks or registered trademarks are the property of their respective owners. Pricing, specifications and availability subject to change without notice. Actual products, product images, and online product images may vary from images shown here.