




AK5156

PC1526

CABLE REQUIREMENTS:

Colour: BLACK
Type: 3 Core 1.00mm² H05VV-F (European Approved)
Conductor Colour Codes:
 Earth (Green & Yellow) 
 Neutral (Blue) 
 Live (Brown) 

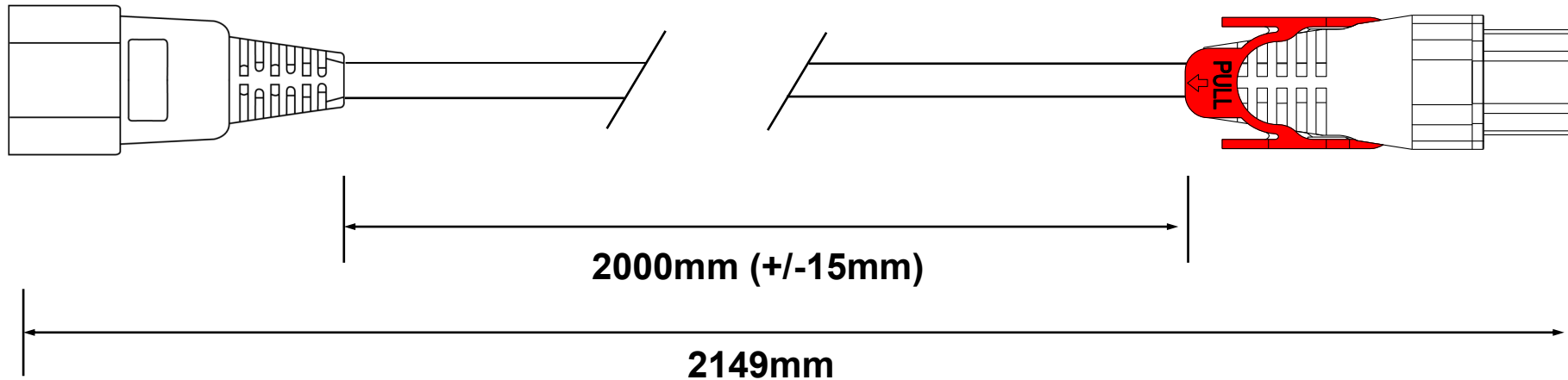
Complete Powerlead Rated: 10A/250V

PLUG / END A REQUIREMENTS:

Type: SW906
Colour: BLACK
Rating: 10A
Reference: C14 Connector (European Approved)

CONNECTOR / END B REQUIREMENTS:

Type: SW934
Colour: BLACK
Rating: 10A
Reference: C13 IEC Lock+ Connector (European Approved)



EXTRA REQUIREMENTS:

PACKAGING OUTERTBC
 PIN PROTECTING COVERNO
 WIRING INSTRUCTIONSNO
 PRE-SHIPMENT INSPECTION REQUIRED....NO

COMMENTS:

CHANGE MANAGEMENT:

HANKING

Loose

TERMINATIONS / FURTHER COMMENTS: