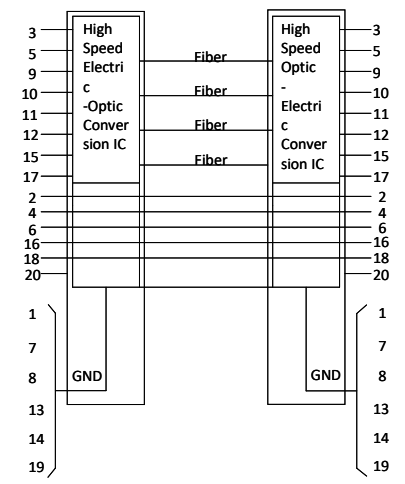
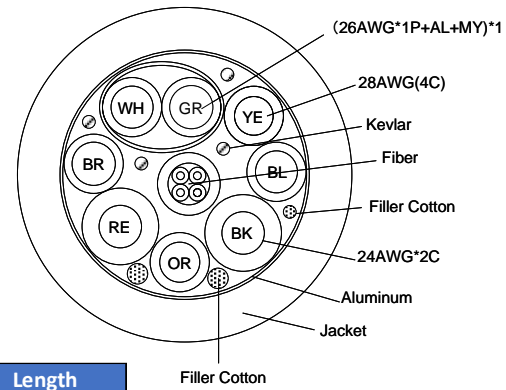


ITEM	PART	DESCRIPTION
A	DisplayPort A male	Source connector
B	Mini DisplayPort	Display connector
C	DisplayPort A male	Display connector
A + B	Connector type	DisplayPort A male (metal)
	Contacts	Gold plated
	Hood	White plastic
	Shield type	Aluminum Mylar
	Conductor material	4x fiber + 8x copper
C	Cable colour	Black
	Outer jacket	PVC
	Outer diameter	Ø4.8 ± 0.2mm
	Bend radius	≥ 45mm
	Temperature range	0°C to +50°C (+5%)
	Humidity range	10% to 80%
	Max. bandwidth	32.4 Gbps
	DisplayPort version	DP 1.4
	DisplayPort standard	Ultra High Speed
	Max. resolution @ 60Hz	7680 x 4320 (8K)
	Max. resolution @ 120Hz	3840 x 2160 (4K)
	Chroma sampling	4:4:4
	Colour bit depth	8 bits per colour
D	Protective cap	PE



Item No.	Length
AK4150	10m
AK4151	15m
AK4152	20m
AK4153	25m
Ak4154	30m

DisplayPort 1.4 Active Optical Cable 8K with detachable connector

Item : AK4150~AK4154

Unit: mm
Revision : 01-AA
Date: 15-03-2024

This drawing is proprietary information of ACT Connectivity Solutions and confidential and provided to you for internal use on a need to know basis only. This document may not be duplicated for or disseminated to any third party without the prior explicit written consent of ACT Connectivity Solutions. Copies of this document, Printed or electronic, are uncontrolled and intended only for immediate use.

Drawn by : EP