

| REV | DESCRIPTION | SIGNATURE | DATE |
|-----|-------------|-----------|------------|
| A0 | ORIGIN | | 2023.01.30 |

TABLE A

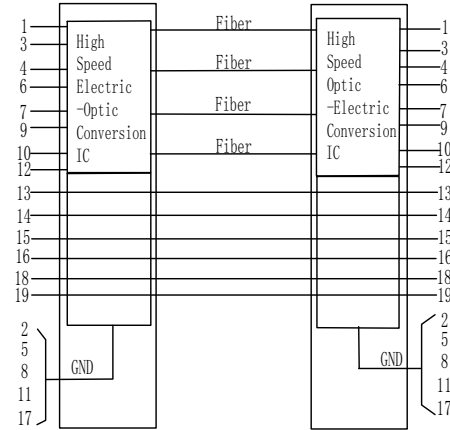
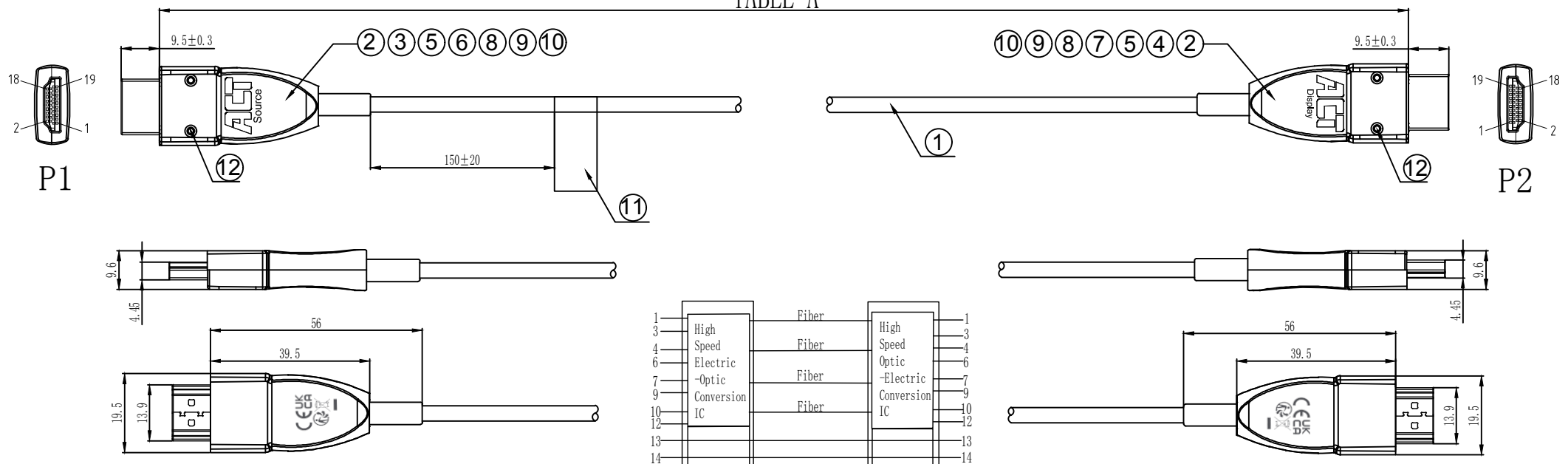
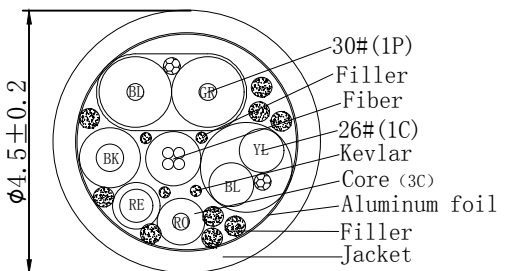


TABLE A

| Customer P/N: | Length (mm) |
|---------------|-------------|
| AK4140 | 5000+/-150 |
| AK4141 | 7500+/-150 |
| AK4142 | 10000+/-200 |
| AK4143 | 15000+/-250 |
| AK4144 | 20000+/-300 |

NOTES:
8K@60Hz
Support 48Gbps



| ITEM | SPECIFICATIONS | Q' TY | UNIT |
|------|--|---------|------|
| 12 | Screw | 4 | PCS |
| 11 | QR Code | 1 | PCS |
| 10 | Screw | 4 | PCS |
| 9 | Clip | 2 | PCS |
| 8 | SR black | 2 | PCS |
| 7 | HDMI A male shell (Upper) Black (Display) | 1 | PCS |
| 6 | HDMI A male shell (Upper) Black (Source) | 1 | PCS |
| 5 | HDMI A male shell (Bottom) Black | 2 | PCS |
| 4 | HDMI A male PCBA (Display) | 1 | PCS |
| 3 | HDMI A male PCBA (Source) | 1 | PCS |
| 2 | HDMI A male Plug Gold-Plated | 2 | PCS |
| 1 | HDMI Active Optical Cable (4 Fiber+7 Copper wire) Black PVC OD:4.5mm | TABLE A | mm |

| | |
|------------------------------------|--------------|
| | |
| TOLERANCES UNLESS OTHERWISE STATED | |
| X. | = ± 1 |
| X.X | = ± 0.25 |
| X.XX | = ± 0.1 |
| TOOLING DECIMALS ANGLES | |
| X. | ± 0.3 ± 1° |
| X.X | ± 0.2 ± 0.5° |
| X.XX | ± 0.1 ± 0.5° |

TYPE: HDMI 2.1 A-A Active Optical Cable

| | | |
|------------|----------------------------|----------|
| DRAW: | PART NO: SHDC-9860-XXX-126 | |
| CKD: | CUSTOMER: | UNIT: mm |
| APP: | DWG NO: | REV: A0 |
| SHELL: 1/1 | DATE: 2023.01.30 | |