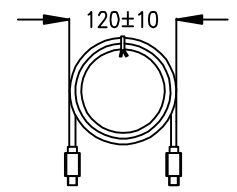
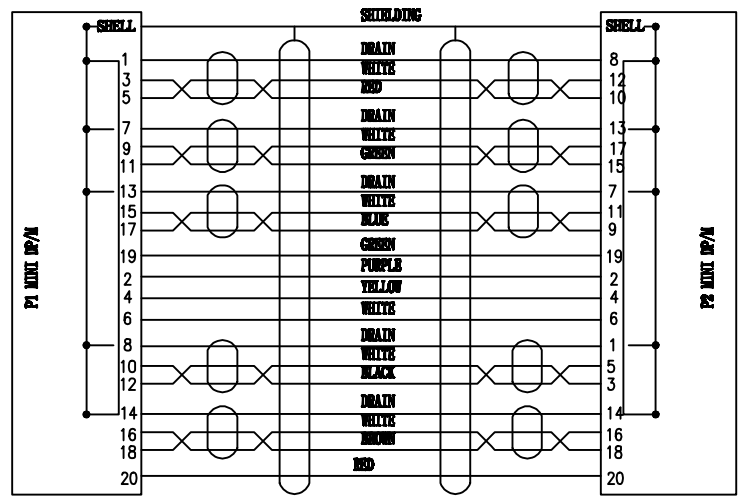
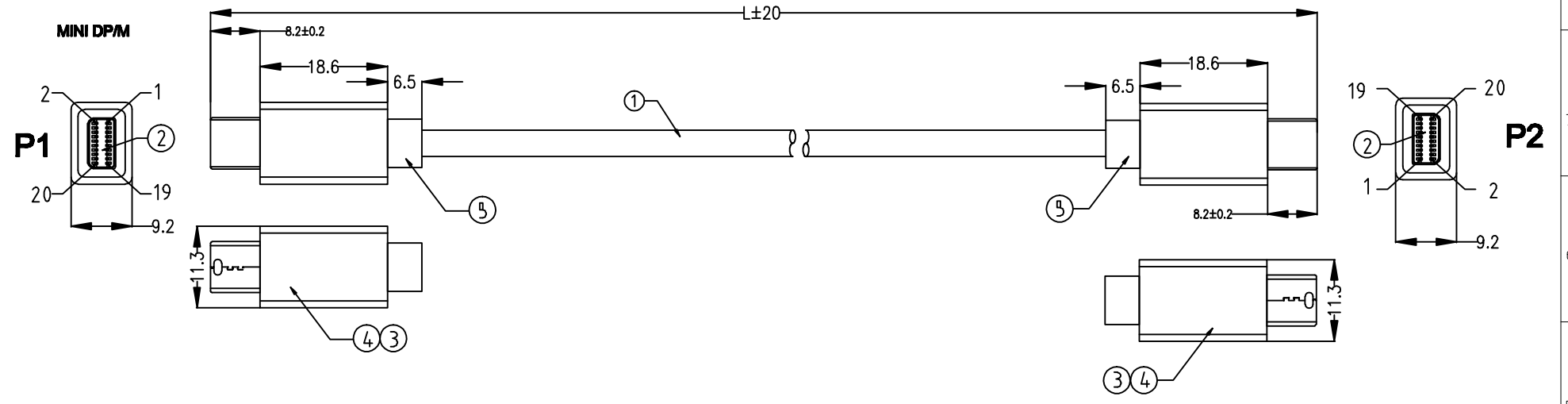


LTR	REV.	DESCRIPTION	DATE	APP'D
-----	------	-------------	------	-------

RoHS-COMPLIANT



Item	L(M)
AK3954	0.5
AK3959	1.0
AK3960	1.5
AK3961	2.0

- ELECTRICAL TEST:**
- 100% OPEN SHORT MIS WIRE TEST
 - CONTACT RESISTANCE: 3 OHM MAX
 - INSULATION RESISTANCE: 10M OHM MIN
 - HI-POT TEST: DC 300V/10ms
 - Displayport version: 1.2v
 - Max Resolution: 3840*2160

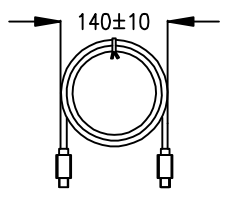
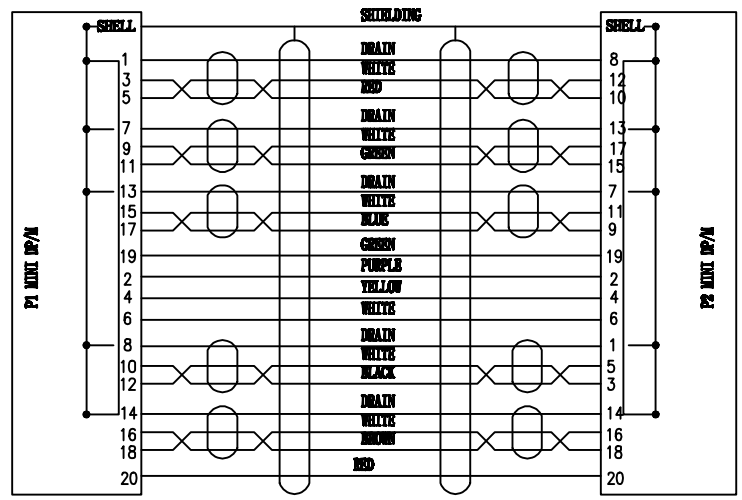
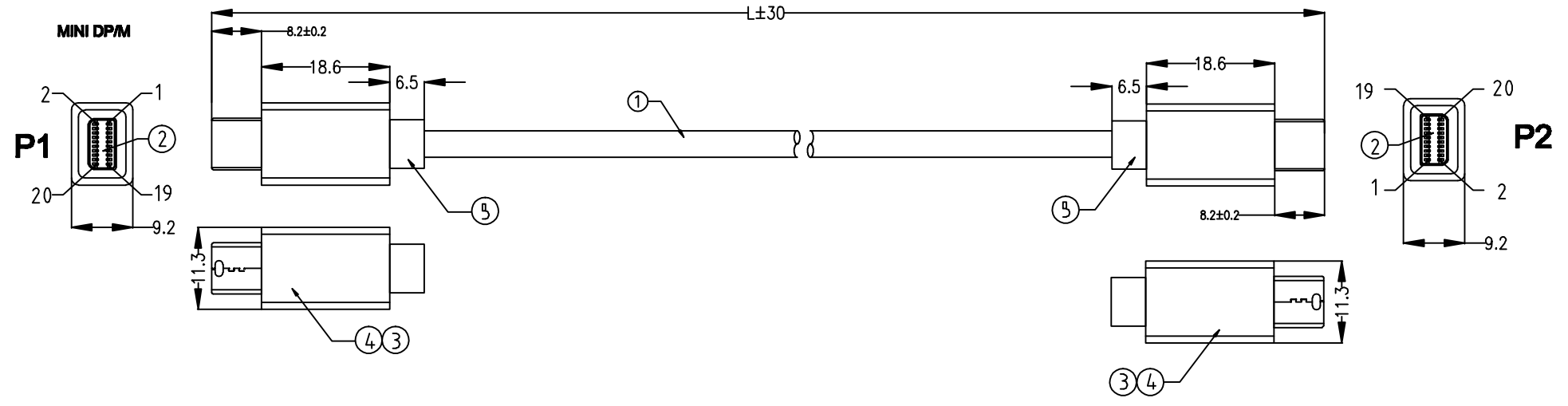
NO.	NAME	SPEC	Q'TY	REMARK
5	MOLD	WHITE 45P PVC		A/R
4	MOLD	LDPE, NATURAL COLOR		A/R
3	SHELL	MINIDP/M WHITE PVC FRONT COVER SHELL	2	
		MINIDP/M WHITE PVC COVER SHELL	2	
2	PLUG	MDP 20P/M; PIN G/F, STEEL SHELL G/F, WHITE PVC CORE	2	
1	CABLE	UL20276 #30*5P+#30*5C+AEB, BLACK PVC JACKET, OD:5.0mm L=500/1000/1500/2000mm	1	



ITEM:		Tol.	Inch	mm	UNIT	mm	DRAWING:	REMARK
MINI DP M TO MINIDP M CABLE		X.	.02	0.5	ANGLE	±'	CHECK 1:	
		X.X	.12	0.3	SCALE	NONE	CHECK 2:	
		X.XX	.008	0.2	FONT	NONE	CHECK 3:	
C.T	C.T ITEM	X.XXX	.006	0.15	The third perspective		DATE	2015-09-23
		X.XXX	.006	0.15			VER.	A PAGE 1/1

LTR	REV.	DESCRIPTION	DATE	APP'D						
-----	------	-------------	------	-------	--	--	--	--	--	--

RoHS-COMPLIANT



Item	L(M)
AK3962	3.0
AK3969	5.0

- ELECTRICAL TEST:**
- 100% OPEN SHORT MIS WIRE TEST
 - CONTACT RESISTANCE: 3 OHM MAX
 - INSULATION RESISTANCE: 10M OHM MIN
 - HI-POT TEST: DC 300V/10ms
 - Displayport version: 1.2v
 - Max Resolution: 3840*2160

NO.	NAME	SPEC	Q'TY	REMARK
5	MOLD	WHITE 45P PVC		A/R
4	MOLD	LDPE, NATURAL COLOR		A/R
3	SHELL	MINIDP/M WHITE PVC FRONT COVER SHELL	2	
		MINIDP/M WHITE PVC COVER SHELL	2	
2	PLUG	MDP 20P/M; PIN G/R, STEEL SHELL G/R, WHITE PVC CORE	2	
1	CABLE	UL20276 #30*5P+#30*4C+26#*1C+AEB, BLACK PVC JACKET, OD:5.5mm L=3050/5000mm	1	

ITEM: MINI DP M TO MINIDP M CABLE		Tol.	Inch	mm	UNIT	mm	DRAWING:	REVISION:
		X.	.02	0.5	ANGLE	±	CHECK 1:	
C.T		X.X	.12	0.3	SCALE	NONE	CHECK 2:	
		X.XX	.008	0.2	FONT	NONE	CHECK 3:	
		X.XXX	.006	0.15	The third perspective		DATE	2015-09-23
		X.XXX	.006	0.15			VER.	A PAGE 1/1