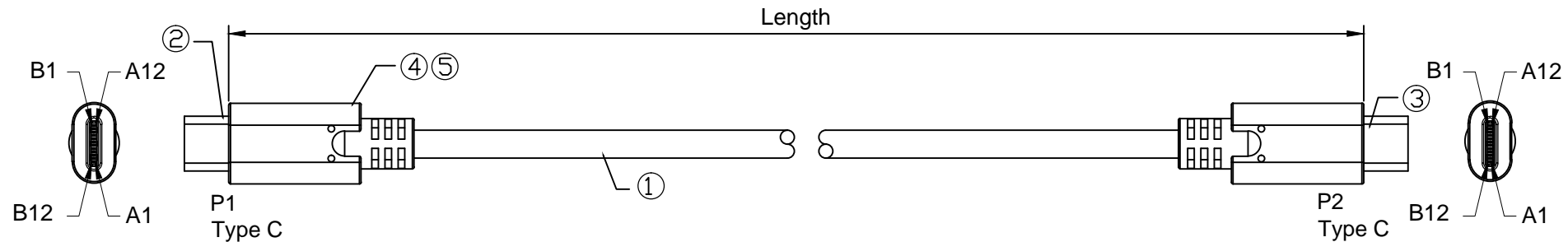
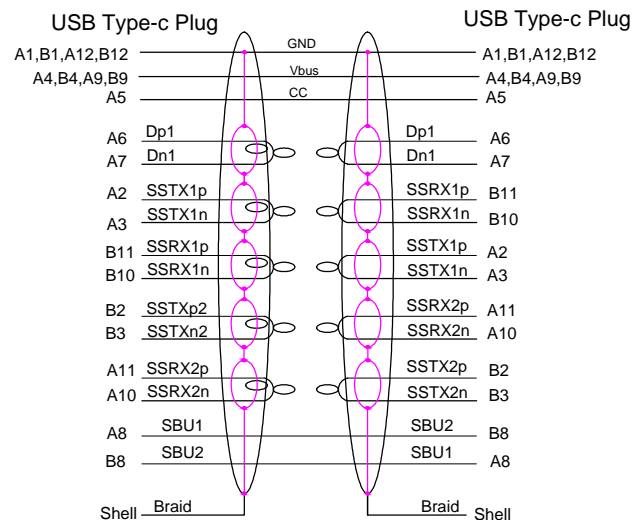


REV.	REVISED DESCRIPTION	DATE	CHECKED
A0	FIRST RELEASE	2021/10/12	

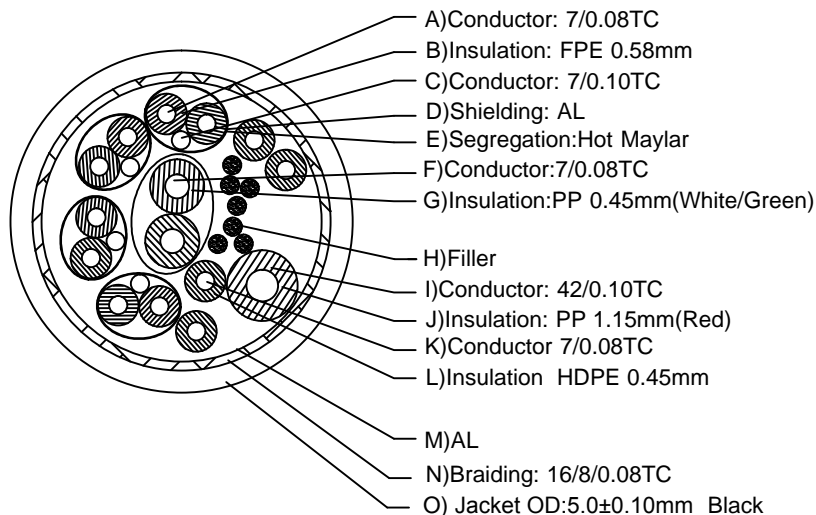


CONNECTION



Remark:

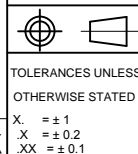
- 1.100% Open/Short Test
2. Conductive Resistance: 15ohms MAX
3. Insulation Resistance: 5M ohm MIN.
4. The product is Reach/RoHS compliant.



3.1 USB Cable Spec.

Item No.	Length(m)
SB0029	2.0m
EW9647	2.0m
AC7360	2.0m

ITEM	DESCRIPTIONS & SPECIFICATIONS	QTY	REMARK
④	External Mold	Outer Mould 30P PVC, Black	2PCS
③	Innernal Mold	Inner Mould PE	2PCS
②	Connector	USB Type C, PCBA(W/Capacitor, Resistor)	2PCS
①	Cable	[[7/0.08TC+0.58TPEE]*1P+D(7/0.10TC)+AL+Mylar]*4P + [7/0.08TC+0.45PP(White/Green)]*1P + [42/0.10TC+1.15PP(Red)]*1C + [(7/0.08TC+0.45PP)]*4P+Filler+AL +16/8/0.08TC+PVC OD5.0mm	



ERP NO.:		SAMPLE DWG NO:	
DOC No.:		REVISION	A0
CUSTOMER:		UNIT	mm
CUSTOMER P/N:		SCALE	NO
DESCRIPTION		USB 3.1 Type C male to Type C male	PAGE NO
			1/1
APPROVAL		CHECKED	DATE
			2021/10/12
		DRAWN	