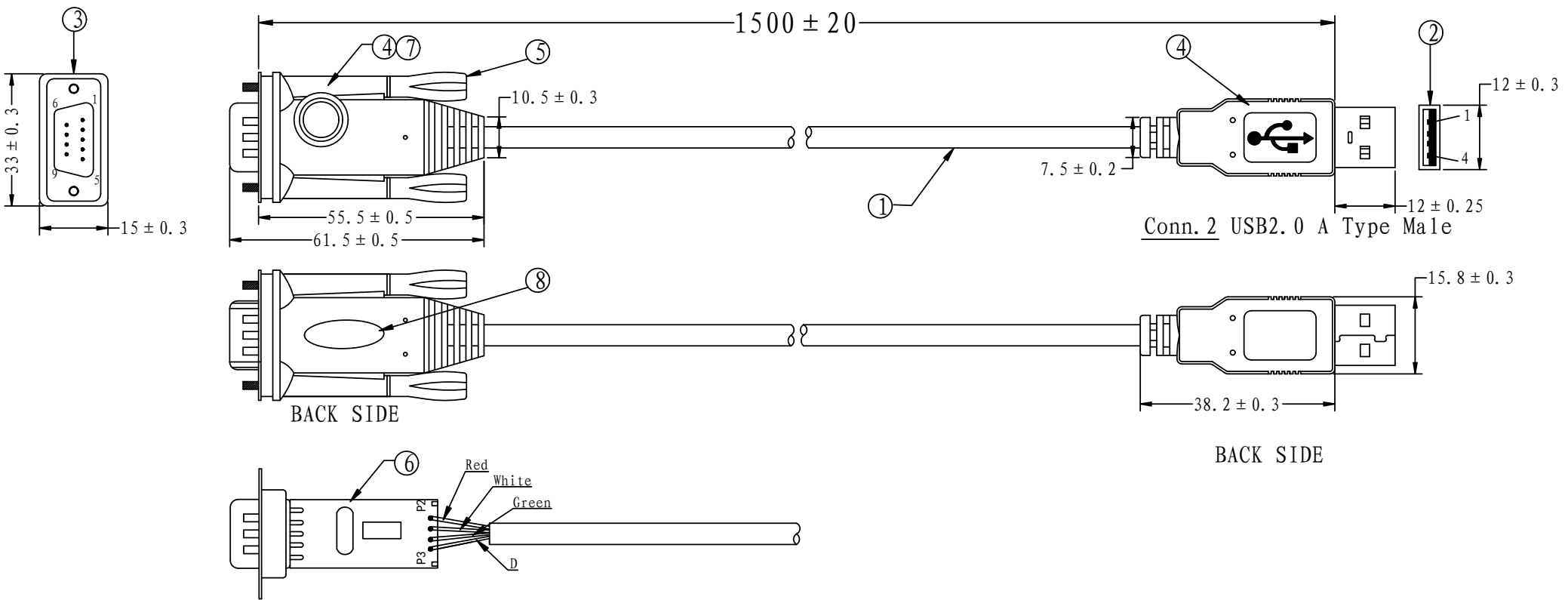


DB9	B-017-009-A	USB T/N	A-002-004
DB9	B-017-009-E		

REV	DATE	CHANGE BEFORE	CHANGES	DRAW
A/1	10.12.07			



**Conn. 1 DB 9P Male**

**Conn. 2 USB2.0 A Type Male**

**MATERIAL LIST:**

All Materials With RoHS Standard

NO.	NAME	DESCRIPTION	UNIT	Q' TY
1	CABLE	UL2725 1P*28AWG+1C*28AWG+AL+D+B OD: 5.0mm	mm	1500
2	CONNECTOR	USB A/M male Solder Type Pin Gold Plated Insulation Color: White Shell Nickel Plated	pcs	1
3	CONNECTOR	DB9PIN MALE SOLDER WHITE SHELL NICKEL PLATED	pcs	1
4	OUTSIDE MOLDING	50P PVC COLOR: TRANSPARENCE BROWN	g	25
5	SCREW	4*49 METAL SCREW TRANSPARENCE BROWN COLOR	pcs	2
6	PCB	PCB	pcs	1
7	INSIDE MOLDING	LD PE	g	6
8				

<b>ACT</b>		
	ITEM NO: AC6000 (1.5M)	
REV: A/1		DRAWN BY:
UNIT: mm	DWG NO: PX091009-01	CHECKED BY:
SCALE: NONE	PART NO:	APPROVED BY: